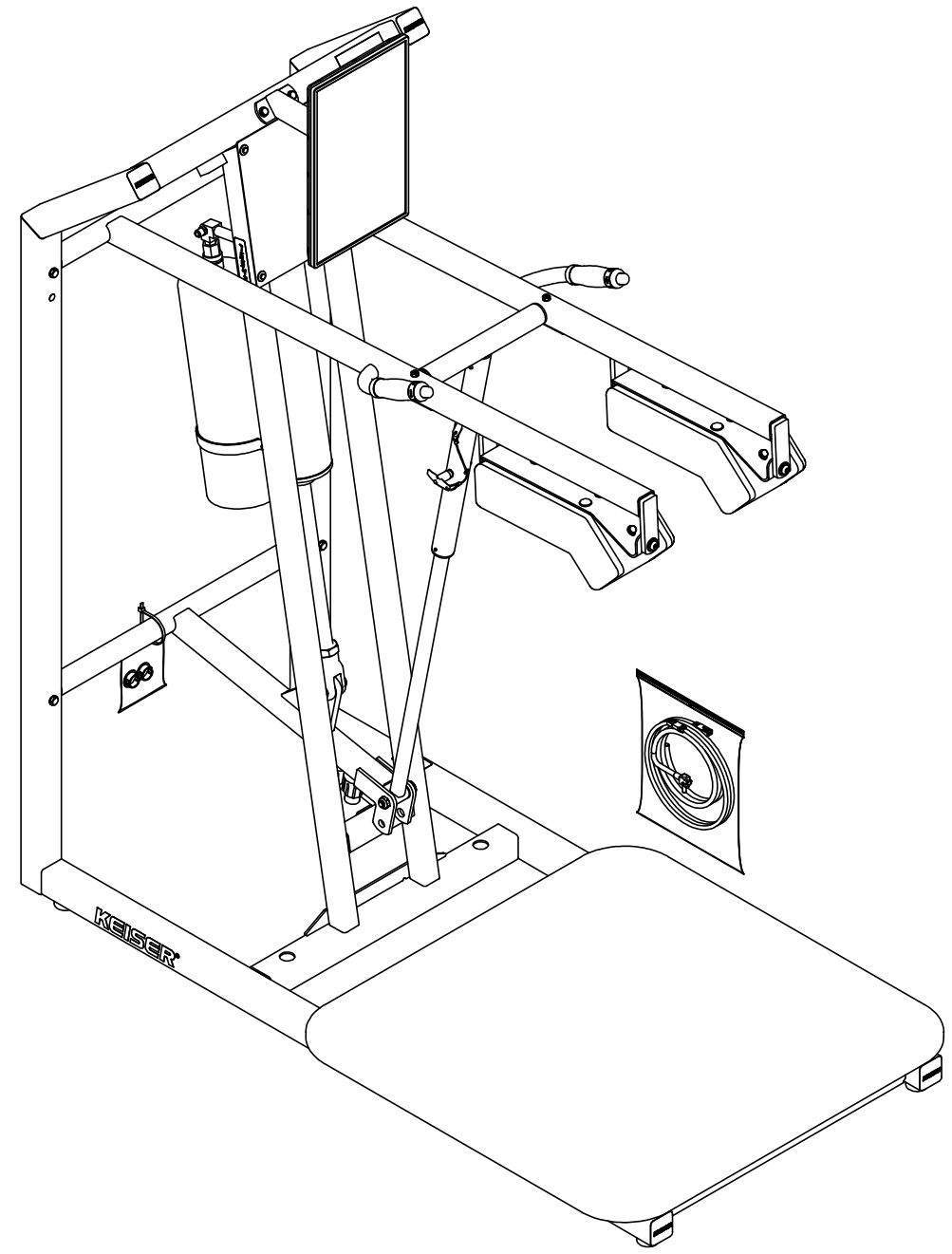


| ITEM NO. | QTY. | PART NO. | TITLE | ITEM NO. | QTY. | PART NO. | TITLE |
|----------|------|----------|-----------------------------------|----------|------|----------|-------------------------------------|
| 1 | 3 | 8043 | CON - 3/16 BARB X 1/8 BARB | 64 | 4 | 151170 | EXTRA WEIGHT 1.5X6X21 |
| 2 | 1 | 8044 | CON - 8MM PTC X 1/4M NPT | 65 | 1 | 152050 | STRAP - TANK |
| 3 | 1 | 8301 | BUSH - SPT-7/8 X 3/8 | 66 | 2 | 152113 | PLATE - SHOULDER PAD |
| 4 | 1 | 8352 | NIPPLE - HN-3/8 | 67 | 1 | 152240 | SHAFT - DRAG LINK-UPPER |
| 5 | 1 | 8385 | Y CONNECTOR - 8MM PTC | 68 | 2 | 152244 | SHAFT - PIVOT |
| 6 | 1 | 8477 | NIPPLE - LN-3/8 X 3-1/2 | 69 | 1 | 154502 | ELBOW - 3/8F-TAPPED-1/4 NPT |
| 7 | 1 | 9006 | PIN-SPRING 5/16 X 1-1/8 ZP | 70 | 1 | 155008 | TEE - MUFFLER |
| 8 | 8 | 9014 | SCREW - HSSS 8-32 X 1/8 SS | 71 | 1 | 155300 | DECAL - CAUTION BK INJURIES |
| 9 | 4 | 9075 | SCREW - SFCHCS 5/16-18 X 1 ZP | 72 | 1 | 155369 | TANK - 300 CU IN-PAINTED |
| 10 | 4 | 9087 | SCREW - CRFCHMS 6-32 X 1/4 SS | 73 | 1 | 155370 | DECAL - POSITION-SQUAT ARM-L |
| 11 | 4 | 9098 | SCREW - SHCS 1/4-20 X 1/2 ZP | 74 | 1 | 155371 | DECAL - POSITION-SQUAT ARM-R |
| 12 | 2 | 9128 | SCREW - SHSS 5/8 X 1-1/4 ZP | 75 | 1 | 155407 | TAPE - FOAM-3/4 W |
| 13 | 1 | 9129 | SCREW - SHSS 5/8 X 1 3/4 BLK | 76 | 4 | 155409 | BUMPER - 13/16 DIA-CLEAR |
| 14 | 2 | 9152 | SCREW - HHCS 1/4-20 X 2 ZP | 77 | 1 | 155500 | LOCK PIN |
| 15 | 2 | 9175 | SCREW - HHCS 5/16-18 X 3/4 ZP | 78 | 2 | 165421 | STOP - EA-URETHANE |
| 16 | 4 | 9176 | SCREW - HHCS 5/16-18 X 1 ZP | 79 | 1 | 170891 | ASSY - MUFFLER-LONG |
| 17 | 2 | 9181 | SCREW - HHCS 5/16-18 X 2-3/4 ZP | 80 | 4 | 265404 | PLASTIC RIVET |
| 18 | 4 | 9207 | SCREW - HHCS 3/8-16 X 2-1/2 ZP | 81 | 1 | 332050 | PLATE - COVER |
| 19 | 2 | 9226 | NUT - HELN 5/16-18 ZP | 82 | 1 | 953098 | TUBING - 8MM URETHANE-BLK |
| 20 | 8 | 9228 | NUT - HELN 3/8-16 ZP | 83 | 1 | 953108 | TUBING - 1/4 URETHANE BLK |
| 21 | 2 | 9230 | NUT - HEJN 1/2-13 ZP | 84 | 2 | 962004 | CON - 2MM-2-S |
| 22 | 1 | 9241 | NUT - HELN 1/2-13 ZP | 85 | 2 | 962005 | CON - MOD-P-4P-4C |
| 23 | 2 | 9242 | NUT - HEJN 1/4-20 ZP | 86 | 2 | 962006 | CON - MOD-P-6P-4C |
| 24 | 1 | 9246 | NUT - HELN 10-24 ZP | 87 | 2 | 962055 | CON - 2MM-8-S |
| 25 | 1 | 9254 | SCREW - HHMS #10-24 X 1-1/4 ZP | 88 | 1 | 962070 | CON - 2.5MM-6-S |
| 26 | 9 | 9255 | SCREW - CRPHMS 6-32 X 1/4 ZP | 89 | 2 | 962071 | CON - S-20-24 AWG-CRIMP-TIN |
| 27 | 6 | 9279 | SCREW - SBHTS-TF 5/16-18 X 3/4 ZP | 90 | 1 | 962072 | CON - 3MM-2-S |
| 28 | 3 | 9284 | SCREW - CRFHMS TAB 4-24 X 0250 SS | 91 | 2 | 962073 | CON - S-20-24 AWG-CRIMP-MOLEX |
| 29 | 4 | 9353 | WASHER - THIN-ACFT 0313 SS | 92 | 2 | 962074 | CON - MOD-P-8P-8C |
| 30 | 12 | 9355 | WASHER - FW-ACFT-3/8 SS | 93 | 1 | 964506 | FILTER - FERRITE-310 OHM |
| 31 | 9 | 9366 | WASHER - ITLW #6 ZP | 94 | 1 | 966701 | WIRE - CABLE-4-26 GA |
| 32 | 2 | 9369 | WASHER - THICK-ACFT 0313 SS | 95 | 1 | 966712 | WIRE - CABLE-2-22 GA |
| 33 | 4 | 9389 | WASHER - ITLW 5/16 ZP | 96 | 1 | 966717 | WIRE - CABLE-8-24 GA |
| 34 | 4 | 9391 | WASHER - FW-ACFT 1/4 SS | 97 | 1 | 966748 | WIRE - CABLE-4 CIRCUIT-MICROFIT-2M |
| 35 | 2 | 9506 | SCREW - SBHCS M6X1 X 10 ZP | 98 | 1 | 990851 | DISPLAY MODULE - A400 |
| 36 | 1 | 105058 | PLUG - DIA 1-CLEAR | 99 | 1 | 990856 | CYL - XDCR-4000 X 12000 |
| 37 | 6 | 105423 | BUMPER - MOLDED GLIDE | 100 | 1 | 990862 | KIT - INSTALLATION-A400 |
| 38 | 1 | 105443 | DECAL - SN-STRENGTH-CE | 101 | 1 | 990879 | MODULE - POWER ENTRY-MDR |
| 39 | 2 | 110830 | ASSY - TB VALVE-DIG | 102 | 1 | 990881 | CKT BRD - PROCESSOR-A400-W SOFTWARE |
| 40 | 4 | 113040 | SHOULDER SLEEVE - 1/2 X 1/2 | 103 | 1 | 992058 | PLATE - DISPLAY BACK-A400 |
| 41 | 8 | 115051 | BEARING - FLANGE-0.500 ID | 104 | 1 | 992059 | PLATE - COVER-PROC BOX |
| 42 | 2 | 115052 | BEARING - FLANGE-0.625 ID | 105 | 1 | 992064 | BOX - PROCESSOR-A400 |
| 43 | 4 | 115054 | PLUG - 2 IN SQ-KEISER | 106 | 2 | 995000 | COLLAR - GRIP |
| 44 | 2 | 115056 | BEARING - FLANGE-0.625 ID-SHORT | 107 | 2 | 995001 | CAP - GRIP W HOLE |
| 45 | 1 | 115318 | MUFFLER - EXHAUST-3/8 | 108 | 2 | 995160 | GRIP - MOLDED |
| 46 | 2 | 115372 | DECAL - KEISER LOGO-1 1/4" RED | 109 | 1 | 995300 | DECAL - TB-PLUS |
| 47 | 4 | 115402 | PLUG - HOLE-3/8 DIA | 110 | 1 | 995301 | DECAL - TB-MINUS |
| 48 | 7 | 115404 | PLUG - HOLE-1 DIA | 111 | 1 | 995324 | DECAL - MADE IN THE USA |
| 49 | 8 | 115423 | TIE - 8 IN-PL BLK | 112 | 1 | 995330 | FILTER - IN LINE-8MM PTC |
| 50 | 1 | 115429 | PLASTIC TIE - 10" RED | 113 | 1 | 995418 | BAG - 4 X 6 X 4MIL-ZIP LOCK |
| 51 | 4 | 115450 | WASHER - FW .88 X .39 X .07 NP | | | | |
| 52 | 4 | 115451 | SCREW - SBHCS 3/8-16 X 1-1/4 NP | | | | |
| 53 | 7 | 135050 | BEARING - FLANGE-1" ID | | | | |
| 54 | 1 | 135056 | CAP - 1.500 SQ-PL | | | | |
| 55 | 2 | 135422 | RUBBER CRUTCH TIP - #20 BLK | | | | |
| 56 | 1 | 150851 | FOOT PAD | | | | |
| 57 | 2 | 150865 | ASSY - SHOULDER CUSHION | | | | |
| 58 | 1 | 150903 | WELDT - DRAG LINK-BOTTOM ADJ | | | | |
| 59 | 1 | 150904 | LEVER ARM | | | | |
| 60 | 1 | 150905 | EX ARM | | | | |
| 61 | 1 | 150909 | WELDT - DRAG LINK-TOP ADJ | | | | |
| 62 | 1 | 150914 | FRAME - MAIN-SQUAT-A400 | | | | |
| 63 | 1 | 150941 | DISPLAY MT - A400 | | | | |



PRINTED ON: 3/10/2026

KEISER®

2470 South Cherry Ave. Phone: (559) 256-8000
 Fresno, CA, USA 93706-5004 Fax: (559) 256-8100

THE INFORMATION DISCLOSED HEREIN WAS ORIGINATED BY AND IS THE PROPERTY OF KEISER CORP. AND ALL PATENT, PROPRIETARY, DESIGN, USE, SALE, MANUFACTURING, AND REPRODUCTION RIGHTS THERETO ARE RESERVED BY KEISER CORP.

DIMENSIONS ARE IN INCHES
 DIMENSIONS IN [] ARE MILLIMETERS
 BREAK SHARP EDGES .005-.015 [.10-.40]
 MACHINED SURFACE FINISH IS
 63 MICROINCHES [1.6 MICROMETERS]
 DO NOT SCALE DRAWING

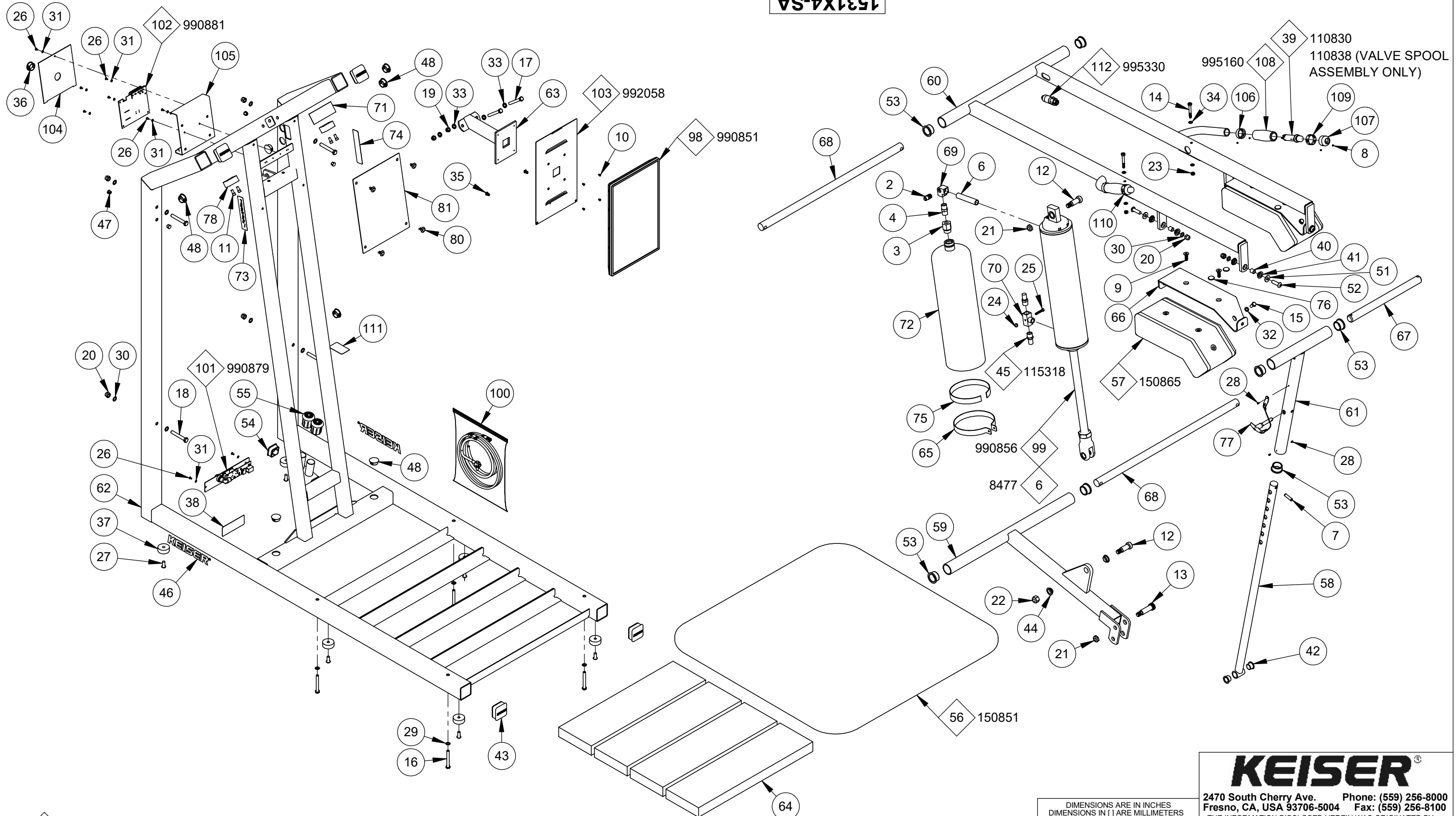
| | | | |
|--------------|----------------------|----------------|------------------------|
| DRAWN BY: JC | DATE DRAWN: 10/22/25 | CHECKED BY: MP | DATE CHECKED: 11/14/25 |
|--------------|----------------------|----------------|------------------------|

MATERIAL: _____
 RAW MAT: _____
 MASS (Kg): _____

| REV | ECO | REVISION DESCRIPTION | BY | CKD | DATE |
|-----|------|------------------------------------|----|-----|---------|
| B | 4560 | REFERENCE PRODUCTION DRAWING REV G | AL | LC | 3/10/26 |

TITLE: **A400 SQUAT - SA**
 SHEET **2** OF **2** SCALE: **1:12** DRAWING SIZE: **B** PART#: **1531X4-SA**

1531X4-SA



COMMONLY SERVICED COMPONENTS

NOTE:

THIS DRAWING COVERS: 1531B4 & 1531X4

| REV | ECO | REVISION DESCRIPTION | BY | CKD | DATE |
|-----|------|------------------------------------|----|-----|----------|
| A | 4487 | REFERENCE PRODUCTION DRAWING REV F | JC | LC | 11/21/25 |

DIMENSIONS ARE IN INCHES
 DIMENSIONS IN [] ARE MILLIMETERS
 BREAK SHARP EDGES .005-.015 [.10-.40]
 MACHINED SURFACE FINISH IS
 63 MICROINCHES [1.6 MICROMETERS]
 DO NOT SCALE DRAWING

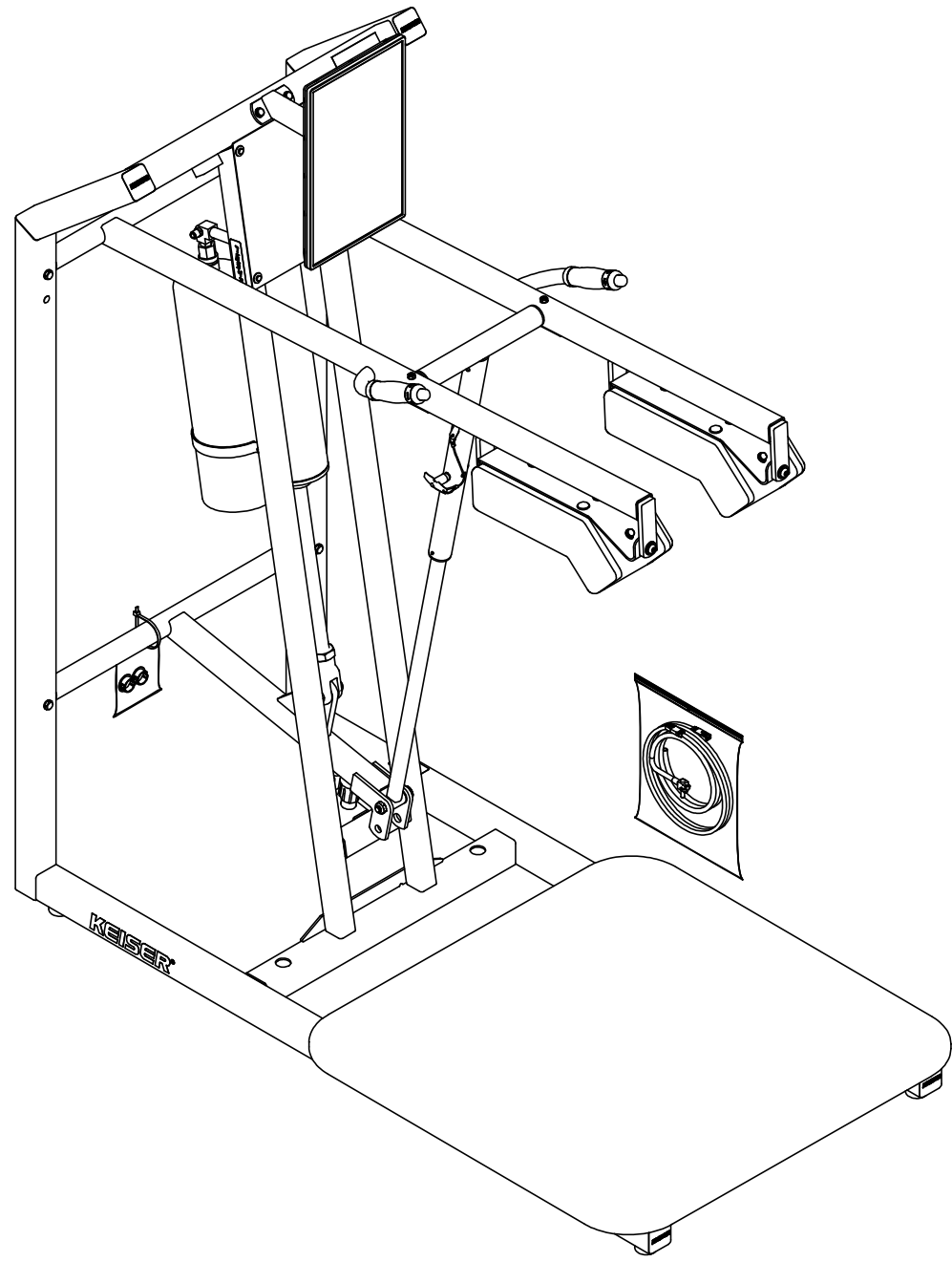
| | | | |
|------------------------|----------------------|-----------------|------------------------|
| DRAWN BY: JC | DATE DRAWN: 10/22/25 | CHECKED BY: MP | DATE CHECKED: 11/14/25 |
| MATERIAL: | | RAW MAT: | |
| TITLE: A400 SQUAT - SA | | SCALE: 1:12 | |
| SHEET 1 OF 2 | | DRAWING SIZE: B | |
| PART#: 1531X4-SA | | MASS (Kg): | |

KEISER[®]
 2470 South Cherry Ave. Phone: (559) 256-8000
 Fresno, CA, USA 93706-5004 Fax: (559) 256-8100
 THE INFORMATION DISCLOSED HEREIN WAS ORIGINATED BY
 AND IS THE PROPERTY OF KEISER CORP. AND ALL PATENT,
 PROPRIETARY, DESIGN, USE, SALE, MANUFACTURING, AND
 REPRODUCTION RIGHTS THERETO ARE RESERVED BY KEISER
 CORP.

PRINTED ON: 11/21/2025

| ITEM NO. | QTY. | PART NO. | TITLE | ITEM NO. | QTY. | PART NO. | TITLE |
|----------|------|----------|-----------------------------------|----------|------|----------|-------------------------------------|
| 1 | 3 | 8043 | CON - 3/16 BARB X 1/8 BARB | 64 | 4 | 151170 | EXTRA WEIGHT 1.5X6X21 |
| 2 | 1 | 8044 | CON - 8MM PTC X 1/4M NPT | 65 | 1 | 152050 | STRAP - TANK |
| 3 | 1 | 8301 | BUSH - SPT-7/8 X 3/8 | 66 | 2 | 152113 | PLATE - SHOULDER PAD |
| 4 | 1 | 8352 | NIPPLE - HN-3/8 | 67 | 1 | 152240 | SHAFT - DRAG LINK-UPPER |
| 5 | 1 | 8385 | Y CONNECTOR - 8MM PTC | 68 | 2 | 152244 | SHAFT - PIVOT |
| 6 | 1 | 8477 | NIPPLE - LN-3/8 X 3-1/2 | 69 | 1 | 154502 | ELBOW - 3/8F-TAPPED-1/4 NPT |
| 7 | 1 | 9006 | PIN-SPRING 5/16 X 1-1/8 ZP | 70 | 1 | 155008 | TEE - MUFFLER |
| 8 | 8 | 9014 | SCREW - HSSS 8-32 X 1/8 SS | 71 | 1 | 155300 | DECAL - CAUTION BK INJURIES |
| 9 | 4 | 9075 | SCREW - SFCHCS 5/16-18 X 1 ZP | 72 | 1 | 155369 | TANK - 300 CU IN-PAINTED |
| 10 | 4 | 9087 | SCREW - CRFCHMS 6-32 X 1/4 SS | 73 | 1 | 155370 | DECAL - POSITION-SQUAT ARM-L |
| 11 | 4 | 9098 | SCREW - SHCS 1/4-20 X 1/2 ZP | 74 | 1 | 155371 | DECAL - POSITION-SQUAT ARM-R |
| 12 | 2 | 9128 | SCREW - SHSS 5/8 X 1-1/4 ZP | 75 | 1 | 155407 | TAPE - FOAM-3/4 W |
| 13 | 1 | 9129 | SCREW - SHSS 5/8 X 1 3/4 BLK | 76 | 4 | 155409 | BUMPER - 13/16 DIA-CLEAR |
| 14 | 2 | 9152 | SCREW - HHCS 1/4-20 X 2 ZP | 77 | 1 | 155500 | LOCK PIN |
| 15 | 2 | 9175 | SCREW - HHCS 5/16-18 X 3/4 ZP | 78 | 2 | 165421 | STOP - EA-URETHANE |
| 16 | 4 | 9180 | SCREW - HHCS 5/16-18 X 2-1/2 ZP | 79 | 1 | 170891 | ASSY - MUFFLER-LONG |
| 17 | 2 | 9181 | SCREW - HHCS 5/16-18 X 2-3/4 ZP | 80 | 4 | 265404 | PLASTIC RIVET |
| 18 | 4 | 9207 | SCREW - HHCS 3/8-16 X 2-1/2 ZP | 81 | 1 | 332050 | PLATE - COVER |
| 19 | 2 | 9226 | NUT - HELN 5/16-18 ZP | 82 | 1 | 953098 | TUBING - 8MM URETHANE-BLK |
| 20 | 8 | 9228 | NUT - HELN 3/8-16 ZP | 83 | 1 | 953108 | TUBING - 1/4 URETHANE BLK |
| 21 | 2 | 9230 | NUT - HEJN 1/2-13 ZP | 84 | 2 | 962004 | CON - 2MM-2-S |
| 22 | 1 | 9241 | NUT - HELN 1/2-13 ZP | 85 | 2 | 962005 | CON - MOD-P-4P-4C |
| 23 | 2 | 9242 | NUT - HEJN 1/4-20 ZP | 86 | 2 | 962006 | CON - MOD-P-6P-4C |
| 24 | 1 | 9246 | NUT - HELN 10-24 ZP | 87 | 2 | 962055 | CON - 2MM-8-S |
| 25 | 1 | 9254 | SCREW - HHMS #10-24 X 1-1/4 ZP | 88 | 1 | 962070 | CON - 2.5MM-6-S |
| 26 | 9 | 9255 | SCREW - CRPHMS 6-32 X 1/4 ZP | 89 | 2 | 962071 | CON - S-20-24 AWG-CRIMP-TIN |
| 27 | 6 | 9279 | SCREW - SBHTS-TF 5/16-18 X 3/4 ZP | 90 | 1 | 962072 | CON - 3MM-2-S |
| 28 | 3 | 9284 | SCREW - CRFHMS TAB 4-24 X 0250 SS | 91 | 2 | 962073 | CON - S-20-24 AWG-CRIMP-MOLEX |
| 29 | 4 | 9353 | WASHER - THIN-ACFT 0313 SS | 92 | 2 | 962074 | CON - MOD-P-8P-8C |
| 30 | 12 | 9355 | WASHER - FW-ACFT-3/8 SS | 93 | 1 | 964506 | FILTER - FERRITE-310 OHM |
| 31 | 9 | 9366 | WASHER - ITLW #6 ZP | 94 | 1 | 966701 | WIRE - CABLE-4-26 GA |
| 32 | 2 | 9369 | WASHER - THICK-ACFT 0313 SS | 95 | 1 | 966712 | WIRE - CABLE-2-22 GA |
| 33 | 4 | 9389 | WASHER - ITLW 5/16 ZP | 96 | 1 | 966717 | WIRE - CABLE-8-24 GA |
| 34 | 4 | 9391 | WASHER - FW-ACFT 1/4 SS | 97 | 1 | 966748 | WIRE - CABLE-4 CIRCUIT-MICROFIT-2M |
| 35 | 2 | 9506 | SCREW - SBHCS M6X1 X 10 ZP | 98 | 1 | 990851 | DISPLAY MODULE - A400 |
| 36 | 1 | 105058 | PLUG - DIA 1-CLEAR | 99 | 1 | 990856 | CYL - XDCR-4000 X 12000 |
| 37 | 6 | 105423 | BUMPER - MOLDED GLIDE | 100 | 1 | 990862 | KIT - INSTALLATION-A400 |
| 38 | 1 | 105443 | DECAL - SN-STRENGTH-CE | 101 | 1 | 990879 | MODULE - POWER ENTRY-MDR |
| 39 | 2 | 110830 | ASSY - TB VALVE-DIG | 102 | 1 | 990881 | CKT BRD - PROCESSOR-A400-W SOFTWARE |
| 40 | 4 | 113040 | SHOULDER SLEEVE - 1/2 X 1/2 | 103 | 1 | 992058 | PLATE - DISPLAY BACK-A400 |
| 41 | 8 | 115051 | BEARING - FLANGE-0.500 ID | 104 | 1 | 992059 | PLATE - COVER-PROC BOX |
| 42 | 2 | 115052 | BEARING - FLANGE-0.625 ID | 105 | 1 | 992064 | BOX - PROCESSOR-A400 |
| 43 | 4 | 115054 | PLUG - 2 IN SQ-KEISER | 106 | 2 | 995000 | COLLAR - GRIP |
| 44 | 2 | 115056 | BEARING - FLANGE-0.625 ID-SHORT | 107 | 2 | 995001 | CAP - GRIP W HOLE |
| 45 | 1 | 115318 | MUFFLER - EXHAUST-3/8 | 108 | 2 | 995160 | GRIP - MOLDED |
| 46 | 2 | 115372 | DECAL - KEISER LOGO-1 1/4" RED | 109 | 1 | 995300 | DECAL - TB-PLUS |
| 47 | 4 | 115402 | PLUG - HOLE-3/8 DIA | 110 | 1 | 995301 | DECAL - TB-MINUS |
| 48 | 7 | 115404 | PLUG - HOLE-1 DIA | 111 | 1 | 995324 | DECAL - MADE IN THE USA |
| 49 | 8 | 115423 | TIE - 8 IN-PL BLK | 112 | 1 | 995330 | FILTER - IN LINE-8MM PTC |
| 50 | 1 | 115429 | PLASTIC TIE - 10" RED | 113 | 1 | 995418 | BAG - 4 X 6 X 4MIL-ZIP LOCK |
| 51 | 4 | 115450 | WASHER - FW .88 X .39 X .07 NP | | | | |
| 52 | 4 | 115451 | SCREW - SBHCS 3/8-16 X 1-1/4 NP | | | | |
| 53 | 7 | 135050 | BEARING - FLANGE-1" ID | | | | |
| 54 | 1 | 135056 | CAP - 1.500 SQ-PL | | | | |
| 55 | 2 | 135422 | RUBBER CRUTCH TIP - #20 BLK | | | | |
| 56 | 1 | 150851 | ASSY - FOOT PAD | | | | |
| 57 | 2 | 150865 | ASSY - SHOULDER CUSHION | | | | |
| 58 | 1 | 150903 | WELDT - DRAG LINK-BOTTOM ADJ | | | | |
| 59 | 1 | 150904 | LEVER ARM | | | | |
| 60 | 1 | 150905 | EX ARM | | | | |
| 61 | 1 | 150909 | WELDT - DRAG LINK-TOP ADJ | | | | |
| 62 | 1 | 150914 | FRAME - MAIN-SQUAT-A400 | | | | |
| 63 | 1 | 150941 | DISPLAY MT - A400 | | | | |

1531X4-SA



PRINTED ON: 11/21/2025

KEISER[®]
 2470 South Cherry Ave. Phone: (559) 256-8000
 Fresno, CA, USA 93706-5004 Fax: (559) 256-8100

THE INFORMATION DISCLOSED HEREIN WAS ORIGINATED BY AND IS THE PROPERTY OF KEISER CORP. AND ALL PATENT, PROPRIETARY, DESIGN, USE, SALE, MANUFACTURING, AND REPRODUCTION RIGHTS THERETO ARE RESERVED BY KEISER CORP.

DIMENSIONS ARE IN INCHES
 DIMENSIONS IN [] ARE MILLIMETERS
 BREAK SHARP EDGES .005-.015 [.10-.40]
 MACHINED SURFACE FINISH IS
 63 MICROINCHES [1.6 MICROMETERS]
 DO NOT SCALE DRAWING

DRAWN BY: JC DATE DRAWN: 10/22/25 CHECKED BY: MP DATE CHECKED: 11/14/25

MATERIAL: RAW MAT: MASS (Kg):

| REV | ECO | REVISION DESCRIPTION | BY | CKD | DATE |
|-----|------|------------------------------------|----|-----|----------|
| A | 4487 | REFERENCE PRODUCTION DRAWING REV F | JC | LC | 11/21/25 |

TITLE: **A400 SQUAT - SA**
 SHEET **2** OF **2** SCALE: **1:12** DRAWING SIZE: **B** PART#: **1531X4-SA**