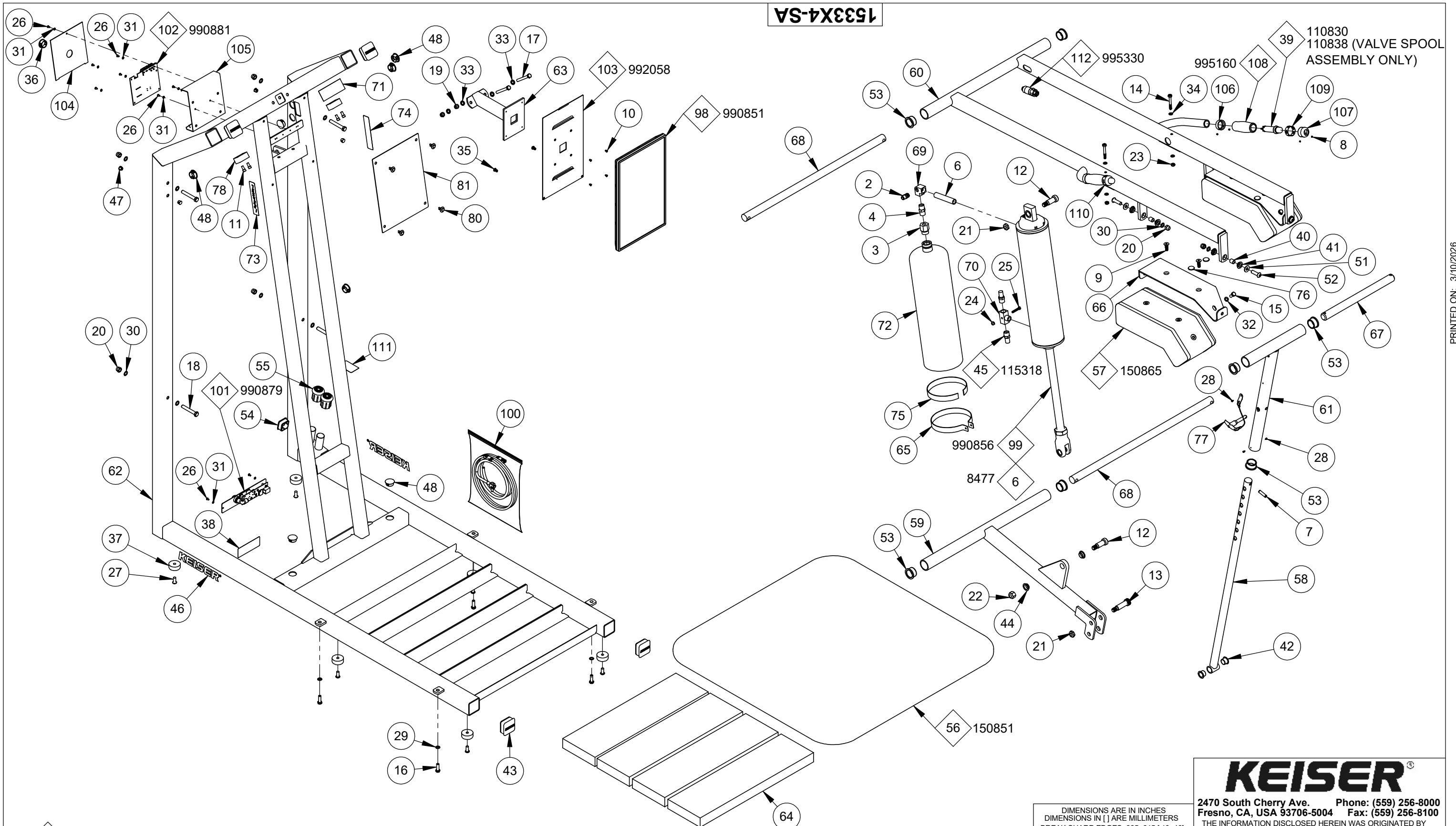


1533X4-SA



PRINTED ON: 3/10/2026

COMMONLY SERVICED COMPONENTS

NOTE:
THIS DRAWING COVERS: 1533B4 & 1533X4

REV	ECO	REVISION DESCRIPTION	BY	CKD	DATE
B	4560	REFERENCE WM BOM REV E	AL	LC	3/10/26

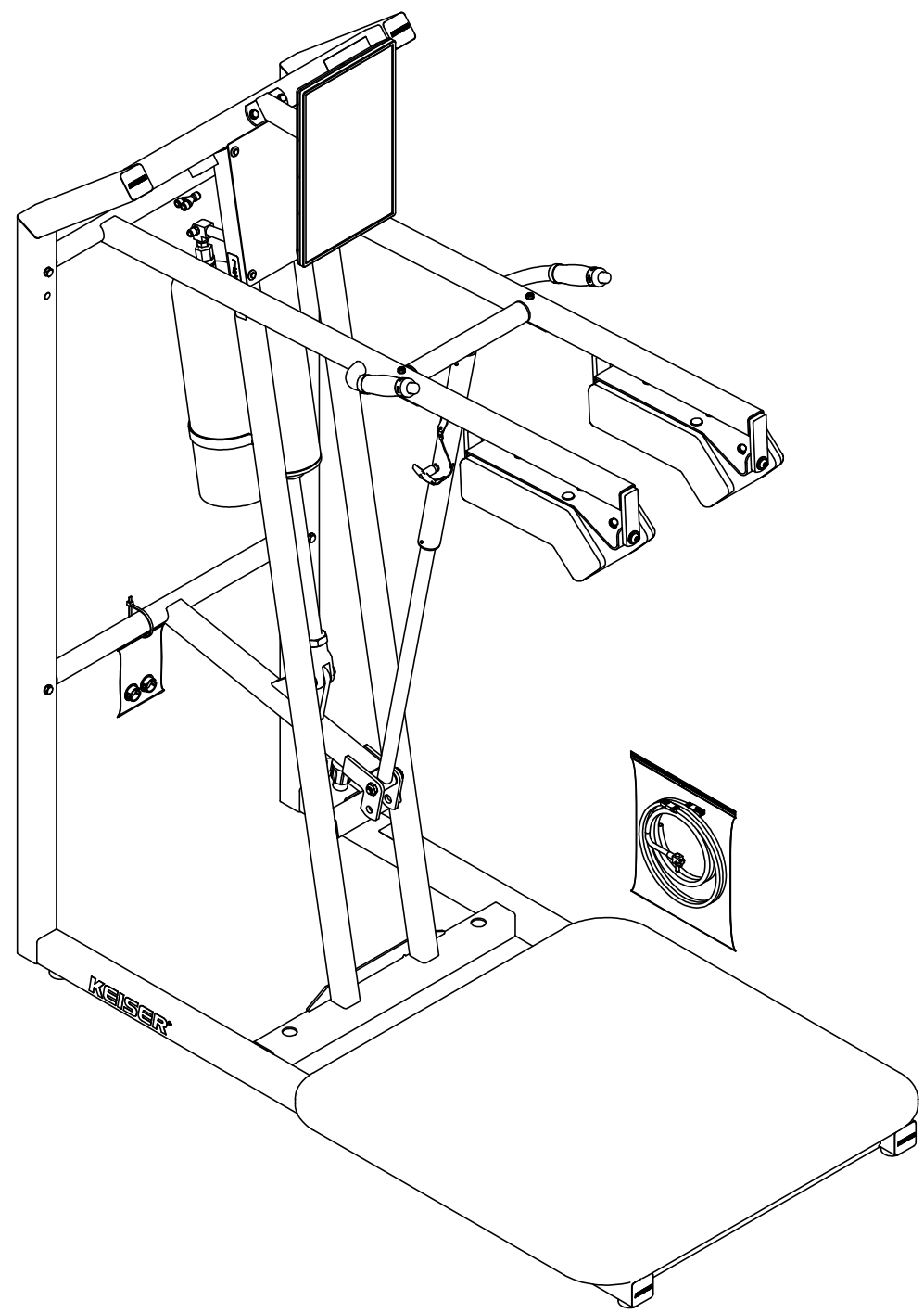
DIMENSIONS ARE IN INCHES
DIMENSIONS IN [] ARE MILLIMETERS
BREAK SHARP EDGES .005-.015 [.10-.40]
MACHINED SURFACE FINISH IS
63 MICROINCHES [1.6 MICROMETERS]
DO NOT SCALE DRAWING

DRAWN BY: JC	DATE DRAWN: 10/13/25	CHECKED BY: MP	DATE CHECKED: 11/14/25
MATERIAL:		RAW MAT:	
TITLE: A400 SQUAT - TALL-SA		SCALE: 1:12	
SHEET 1 OF 2		DRAWING SIZE: B	
PART#: 1533X4-SA		MASS (Kg):	

KEISER[®]
2470 South Cherry Ave. Phone: (559) 256-8000
Fresno, CA, USA 93706-5004 Fax: (559) 256-8100
THE INFORMATION DISCLOSED HEREIN WAS ORIGINATED BY AND IS THE PROPERTY OF KEISER CORP. AND ALL PATENT, PROPRIETARY, DESIGN, USE, SALE, MANUFACTURING, AND REPRODUCTION RIGHTS THERETO ARE RESERVED BY KEISER CORP.

ITEM NO.	QTY.	PART NO.	TITLE	ITEM NO.	QTY.	PART NO.	TITLE
1	3	8043	CON - 3/16 BARB X 1/8 BARB	64	4	151170	EXTRA WEIGHT 1.5X6X21
2	1	8044	CON - 8MM PTC X 1/4M NPT	65	1	152050	STRAP - TANK
3	1	8301	BUSH - SPT-7/8 X 3/8	66	2	152113	PLATE - SHOULDER PAD
4	1	8352	NIPPLE - HN-3/8	67	1	152240	SHAFT - DRAG LINK-UPPER
5	1	8385	Y CONNECTOR - 8MM PTC	68	2	152244	SHAFT - PIVOT
6	1	8477	NIPPLE - LN-3/8 X 3-1/2	69	1	154502	ELBOW - 3/8F-TAPPED-1/4 NPT
7	1	9006	PIN-SPRING 5/16 X 1-1/8 ZP	70	1	155008	TEE - MUFFLER
8	8	9014	SCREW - HSSS 8-32 X 1/8 SS	71	1	155300	DECAL - CAUTION BK INJURIES
9	4	9075	SCREW - SFCHCS 5/16-18 X 1 ZP	72	1	155369	TANK - 300 CU IN-PAINTED
10	4	9087	SCREW - CRFCHMS 6-32 X 1/4 SS	73	1	155370	DECAL - POSITION-SQUAT ARM-L
11	4	9098	SCREW - SHCS 1/4-20 X 1/2 ZP	74	1	155371	DECAL - POSITION-SQUAT ARM-R
12	2	9128	SCREW - SHSS 5/8 X 1-1/4 ZP	75	1	155407	TAPE - FOAM-3/4 W
13	1	9129	SCREW - SHSS 5/8 X 1 3/4 BLK	76	4	155409	BUMPER - 13/16 DIA-CLEAR
14	2	9152	SCREW - HHCS 1/4-20 X 2 ZP	77	1	155500	LOCK PIN
15	2	9175	SCREW - HHCS 5/16-18 X 3/4 ZP	78	2	165421	STOP - EA-URETHANE
16	4	9176	SCREW - HHCS 5/16-18 X 1 ZP	79	1	170891	ASSY - MUFFLER-LONG
17	2	9181	SCREW - HHCS 5/16-18 X 2-3/4 ZP	80	4	265404	PLASTIC RIVET
18	4	9207	SCREW - HHCS 3/8-16 X 2-1/2 ZP	81	1	332050	PLATE - COVER
19	2	9226	NUT - HELN 5/16-18 ZP	82	1	953098	TUBING - 8MM URETHANE-BLK
20	8	9228	NUT - HELN 3/8-16 ZP	83	1	953108	TUBING - 1/4 URETHANE BLK
21	2	9230	NUT - HEJN 1/2-13 ZP	84	2	962004	CON - 2MM-2-S
22	1	9241	NUT - HELN 1/2-13 ZP	85	2	962005	CON - MOD-P-4P-4C
23	2	9242	NUT - HEJN 1/4-20 ZP	86	2	962006	CON - MOD-P-6P-4C
24	1	9246	NUT - HELN 10-24 ZP	87	2	962055	CON - 2MM-8-S
25	1	9254	SCREW - HHMS #10-24 X 1-1/4 ZP	88	1	962070	CON - 2.5MM-6-S
26	9	9255	SCREW - CRPHMS 6-32 X 1/4 ZP	89	2	962071	CON - S-20-24 AWG-CRIMP-TIN
27	6	9279	SCREW - SBHTS-TF 5/16-18 X 3/4 ZP	90	1	962072	CON - 3MM-2-S
28	3	9284	SCREW - CRFHMS TAB 4-24 X 0250 SS	91	2	962073	CON - S-20-24 AWG-CRIMP-MOLEX
29	4	9353	WASHER - THIN-ACFT 0313 SS	92	2	962074	CON - MOD-P-8P-8C
30	12	9355	WASHER - FW-ACFT-3/8 SS	93	1	964506	FILTER - FERRITE-310 OHM
31	9	9366	WASHER - ITLW #6 ZP	94	1	966701	WIRE - CABLE-4-26 GA
32	2	9369	WASHER - THICK-ACFT 0313 SS	95	1	966712	WIRE - CABLE-2-22 GA
33	4	9389	WASHER - ITLW 5/16 ZP	96	1	966717	WIRE - CABLE-8-24 GA
34	4	9391	WASHER - FW-ACFT 1/4 SS	97	1	966748	WIRE - CABLE-4 CIRCUIT-MICROFIT-2M
35	2	9506	SCREW - SBHCS M6X1 X 10 ZP	98	1	990851	DISPLAY MODULE - A400
36	1	105058	PLUG - DIA 1-CLEAR	99	1	990856	CYL - XDCR-4000 X 12000
37	6	105423	BUMPER - MOLDED GLIDE	100	1	990862	KIT - INSTALLATION-A400
38	1	105443	DECAL - SN-STRENGTH-CE	101	1	990879	MODULE - POWER ENTRY-MDR
39	2	110830	ASSY - TB VALVE-DIG	102	1	990881	CKT BRD - PROCESSOR-A400-W SOFTWARE
40	4	113040	SHOULDER SLEEVE - 1/2 X 1/2	103	1	992058	PLATE - DISPLAY BACK-A400
41	8	115051	BEARING - FLANGE-0.500 ID	104	1	992059	PLATE - COVER-PROC BOX
42	2	115052	BEARING - FLANGE-0.625 ID	105	1	992064	BOX - PROCESSOR-A400
43	4	115054	PLUG - 2 IN SQ-KEISER	106	2	995000	COLLAR - GRIP
44	2	115056	BEARING - FLANGE-0.625 ID-SHORT	107	2	995001	CAP - GRIP W HOLE
45	2	115318	MUFFLER - EXHAUST-3/8	108	2	995160	GRIP - MOLDED
46	2	115372	DECAL - KEISER LOGO-1 1/4" RED	109	1	995300	DECAL - TB-PLUS
47	4	115402	PLUG - HOLE-3/8 DIA	110	1	995301	DECAL - TB-MINUS
48	7	115404	PLUG - HOLE-1 DIA	111	1	995324	DECAL - MADE IN THE USA
49	8	115423	TIE - 8 IN-PL BLK	112	1	995330	FILTER - IN LINE-8MM PTC
50	1	115429	PLASTIC TIE - 10" RED	113	1	995418	BAG - 4 X 6 X 4MIL-ZIP LOCK
51	4	115450	WASHER - FW .88 X .39 X .07 NP				
52	4	115451	SCREW - SBHCS 3/8-16 X 1-1/4 NP				
53	7	135050	BEARING - FLANGE-1" ID				
54	1	135056	CAP - 1.500 SQ-PL				
55	2	135422	RUBBER CRUTCH TIP - #20 BLK				
56	1	150851	FOOT PAD				
57	2	150865	ASSY - SHOULDER CUSHION				
58	1	150903	WELDT - DRAG LINK-BOTTOM ADJ				
59	1	150904	LEVER ARM				
60	1	150905	EX ARM				
61	1	150909	WELDT - DRAG LINK-TOP ADJ				
62	1	150912	FRAME - MAIN-SQUAT-TALL				
63	1	150941	DISPLAY MT - A400				

1533X4-SA



PRINTED ON: 3/10/2026

KEISER[®]

2470 South Cherry Ave. Phone: (559) 256-8000
 Fresno, CA, USA 93706-5004 Fax: (559) 256-8100

THE INFORMATION DISCLOSED HEREIN WAS ORIGINATED BY AND IS THE PROPERTY OF KEISER CORP. AND ALL PATENT, PROPRIETARY, DESIGN, USE, SALE, MANUFACTURING, AND REPRODUCTION RIGHTS THERETO ARE RESERVED BY KEISER CORP.

DIMENSIONS ARE IN INCHES
 DIMENSIONS IN [] ARE MILLIMETERS
 BREAK SHARP EDGES .005-.015 [.10-.40]
 MACHINED SURFACE FINISH IS
 63 MICROINCHES [1.6 MICROMETERS]
 DO NOT SCALE DRAWING

DRAWN BY: JC DATE DRAWN: 10/13/25 CHECKED BY: MP DATE CHECKED: 11/14/25

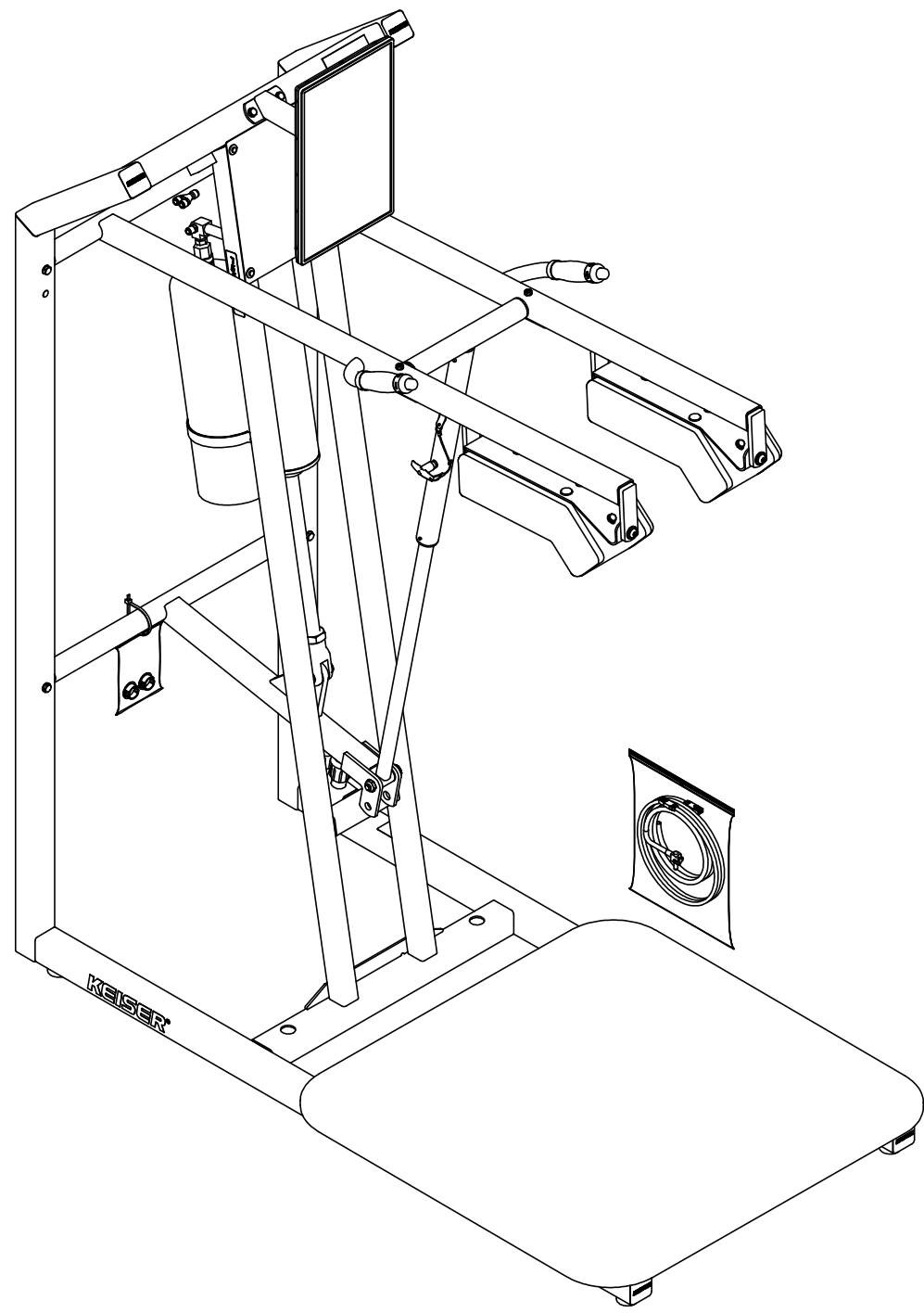
MATERIAL: RAW MAT: MASS (Kg):

REV	ECO	REVISION DESCRIPTION	BY	CKD	DATE
B	4560	REFERENCE WM BOM REV E	AL	LC	3/10/26

TITLE: **A400 SQUAT - TALL-SA**
 SHEET **2** OF **2** SCALE: **1:12** DRAWING SIZE: **B** PART#: **1533X4-SA**

ITEM NO.	QTY.	PART NO.	TITLE	ITEM NO.	QTY.	PART NO.	TITLE
1	3	8043	CON - 3/16 BARB X 1/8 BARB	64	4	151170	EXTRA WEIGHT 1.5X6X21
2	1	8044	CON - 8MM PTC X 1/4M NPT	65	1	152050	STRAP - TANK
3	1	8301	BUSH - SPT-7/8 X 3/8	66	2	152113	PLATE - SHOULDER PAD
4	1	8352	NIPPLE - HN-3/8	67	1	152240	SHAFT - DRAG LINK-UPPER
5	1	8385	Y CONNECTOR - 8MM PTC	68	2	152244	SHAFT - PIVOT
6	1	8477	NIPPLE - LN-3/8 X 3-1/2	69	1	154502	ELBOW - 3/8F-TAPPED-1/4 NPT
7	1	9006	PIN-SPRING 5/16 X 1-1/8 ZP	70	1	155008	TEE - MUFFLER
8	8	9014	SCREW - HSSS 8-32 X 1/8 SS	71	1	155300	DECAL - CAUTION BK INJURIES
9	4	9075	SCREW - SFCHCS 5/16-18 X 1 ZP	72	1	155369	TANK - 300 CU IN-PAINTED
10	4	9087	SCREW - CRFCHMS 6-32 X 1/4 SS	73	1	155370	DECAL - POSITION-SQUAT ARM-L
11	4	9098	SCREW - SHCS 1/4-20 X 1/2 ZP	74	1	155371	DECAL - POSITION-SQUAT ARM-R
12	2	9128	SCREW - SHSS 5/8 X 1-1/4 ZP	75	1	155407	TAPE - FOAM-3/4 W
13	1	9129	SCREW - SHSS 5/8 X 1 3/4 BLK	76	4	155409	BUMPER - 13/16 DIA-CLEAR
14	2	9152	SCREW - HHCS 1/4-20 X 2 ZP	77	1	155500	LOCK PIN
15	2	9175	SCREW - HHCS 5/16-18 X 3/4 ZP	78	2	165421	STOP - EA-URETHANE
16	4	9180	SCREW - HHCS 5/16-18 X 2-1/2 ZP	79	1	170891	ASSY - MUFFLER-LONG
17	2	9181	SCREW - HHCS 5/16-18 X 2-3/4 ZP	80	4	265404	PLASTIC RIVET
18	4	9207	SCREW - HHCS 3/8-16 X 2-1/2 ZP	81	1	332050	PLATE - COVER
19	2	9226	NUT - HELN 5/16-18 ZP	82	1	953098	TUBING - 8MM URETHANE-BLK
20	8	9228	NUT - HELN 3/8-16 ZP	83	1	953108	TUBING - 1/4 URETHANE BLK
21	2	9230	NUT - HEJN 1/2-13 ZP	84	2	962004	CON - 2MM-2-S
22	1	9241	NUT - HELN 1/2-13 ZP	85	2	962005	CON - MOD-P-4P-4C
23	2	9242	NUT - HEJN 1/4-20 ZP	86	2	962006	CON - MOD-P-6P-4C
24	1	9246	NUT - HELN 10-24 ZP	87	2	962055	CON - 2MM-8-S
25	1	9254	SCREW - HHMS #10-24 X 1-1/4 ZP	88	1	962070	CON - 2.5MM-6-S
26	9	9255	SCREW - CRPHMS 6-32 X 1/4 ZP	89	2	962071	CON - S-20-24 AWG-CRIMP-TIN
27	6	9279	SCREW - SBHTS-TF 5/16-18 X 3/4 ZP	90	1	962072	CON - 3MM-2-S
28	3	9284	SCREW - CRFHMS TAB 4-24 X 0250 SS	91	2	962073	CON - S-20-24 AWG-CRIMP-MOLEX
29	4	9353	WASHER - THIN-ACFT 0313 SS	92	2	962074	CON - MOD-P-8P-8C
30	12	9355	WASHER - FW-ACFT-3/8 SS	93	1	964506	FILTER - FERRITE-310 OHM
31	9	9366	WASHER - ITLW #6 ZP	94	1	966701	WIRE - CABLE-4-26 GA
32	2	9369	WASHER - THICK-ACFT 0313 SS	95	1	966712	WIRE - CABLE-2-22 GA
33	4	9389	WASHER - ITLW 5/16 ZP	96	1	966717	WIRE - CABLE-8-24 GA
34	4	9391	WASHER - FW-ACFT 1/4 SS	97	1	966748	WIRE - CABLE-4 CIRCUIT-MICROFIT-2M
35	2	9506	SCREW - SBHCS M6X1 X 10 ZP	98	1	990851	DISPLAY MODULE - A400
36	1	105058	PLUG - DIA 1-CLEAR	99	1	990856	CYL - XDCR-4000 X 12000
37	6	105423	BUMPER - MOLDED GLIDE	100	1	990862	KIT - INSTALLATION-A400
38	1	105443	DECAL - SN-STRENGTH-CE	101	1	990879	MODULE - POWER ENTRY-MDR
39	2	110830	ASSY - TB VALVE-DIG	102	1	990881	CKT BRD - PROCESSOR-A400-W SOFTWARE
40	4	113040	SHOULDER SLEEVE - 1/2 X 1/2	103	1	992058	PLATE - DISPLAY BACK-A400
41	8	115051	BEARING - FLANGE-0.500 ID	104	1	992059	PLATE - COVER-PROC BOX
42	2	115052	BEARING - FLANGE-0.625 ID	105	1	992064	BOX - PROCESSOR-A400
43	4	115054	PLUG - 2 IN SQ-KEISER	106	2	995000	COLLAR - GRIP
44	2	115056	BEARING - FLANGE-0.625 ID-SHORT	107	2	995001	CAP - GRIP W HOLE
45	2	115318	MUFFLER - EXHAUST-3/8	108	2	995160	GRIP - MOLDED
46	2	115372	DECAL - KEISER LOGO-1 1/4" RED	109	1	995300	DECAL - TB-PLUS
47	4	115402	PLUG - HOLE-3/8 DIA	110	1	995301	DECAL - TB-MINUS
48	7	115404	PLUG - HOLE-1 DIA	111	1	995324	DECAL - MADE IN THE USA
49	8	115423	TIE - 8 IN-PL BLK	112	1	995330	FILTER - IN LINE-8MM PTC
50	1	115429	PLASTIC TIE - 10" RED	113	1	995418	BAG - 4 X 6 X 4MIL-ZIP LOCK
51	4	115450	WASHER - FW .88 X .39 X .07 NP				
52	4	115451	SCREW - SBHCS 3/8-16 X 1-1/4 NP				
53	7	135050	BEARING - FLANGE-1" ID				
54	1	135056	CAP - 1.500 SQ-PL				
55	2	135422	RUBBER CRUTCH TIP - #20 BLK				
56	1	150851	ASSY - FOOT PAD				
57	2	150865	ASSY - SHOULDER CUSHION				
58	1	150903	WELDT - DRAG LINK-BOTTOM ADJ				
59	1	150904	LEVER ARM				
60	1	150905	EX ARM				
61	1	150909	WELDT - DRAG LINK-TOP ADJ				
62	1	150912	FRAME - MAIN-SQUAT-TALL				
63	1	150941	DISPLAY MT - A400				

1533X4-SA



PRINTED ON: 11/21/2025

KEISER[®]
 2470 South Cherry Ave. Phone: (559) 256-8000
 Fresno, CA, USA 93706-5004 Fax: (559) 256-8100

THE INFORMATION DISCLOSED HEREIN WAS ORIGINATED BY AND IS THE PROPERTY OF KEISER CORP. AND ALL PATENT, PROPRIETARY, DESIGN, USE, SALE, MANUFACTURING, AND REPRODUCTION RIGHTS THERETO ARE RESERVED BY KEISER CORP.

DIMENSIONS ARE IN INCHES
 DIMENSIONS IN [] ARE MILLIMETERS
 BREAK SHARP EDGES .005-.015 [.10-.40]
 MACHINED SURFACE FINISH IS
 63 MICROINCHES [1.6 MICROMETERS]
 DO NOT SCALE DRAWING

DRAWN BY: JC DATE DRAWN: 10/13/25 CHECKED BY: MP DATE CHECKED: 11/14/25

MATERIAL: RAW MAT: MASS (Kg):

TITLE: **A400 SQUAT - TALL-SA**

SHEET 2 OF 2 SCALE: 1:12 DRAWING SIZE: B PART#: 1533X4-SA

REV	ECO	REVISION DESCRIPTION	BY	CKD	DATE
A	4487	REFERENCE WM BOM REV D	JC	LC	11/21/25