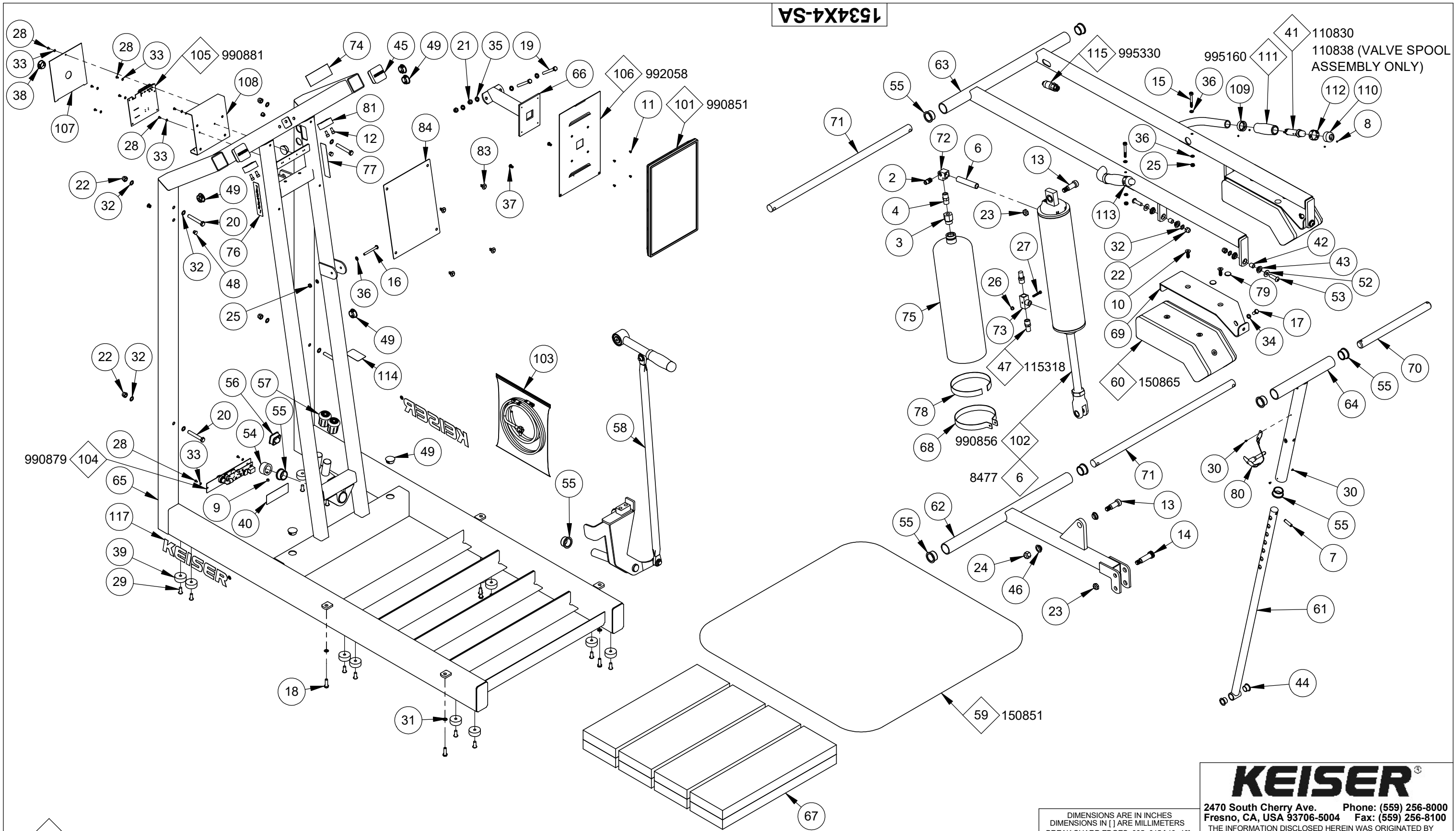


1534X4-SA



PRINTED ON: 3/10/2026

COMMONLY SERVICED COMPONENTS

NOTE:

THIS DRAWING COVERS: 1534B4 & 1534X4

DIMENSIONS ARE IN INCHES
 DIMENSIONS IN [] ARE MILLIMETERS
 BREAK SHARP EDGES .005-.015 [.10-.40]
 MACHINED SURFACE FINISH IS
 63 MICROINCHES [1.6 MICROMETERS]
 DO NOT SCALE DRAWING

KEISER[®]
 2470 South Cherry Ave. Phone: (559) 256-8000
 Fresno, CA, USA 93706-5004 Fax: (559) 256-8100
 THE INFORMATION DISCLOSED HEREIN WAS ORIGINATED BY
 AND IS THE PROPERTY OF KEISER CORP. AND ALL PATENT,
 PROPRIETARY, DESIGN, USE, SALE, MANUFACTURING, AND
 REPRODUCTION RIGHTS THERETO ARE RESERVED BY KEISER
 CORP.

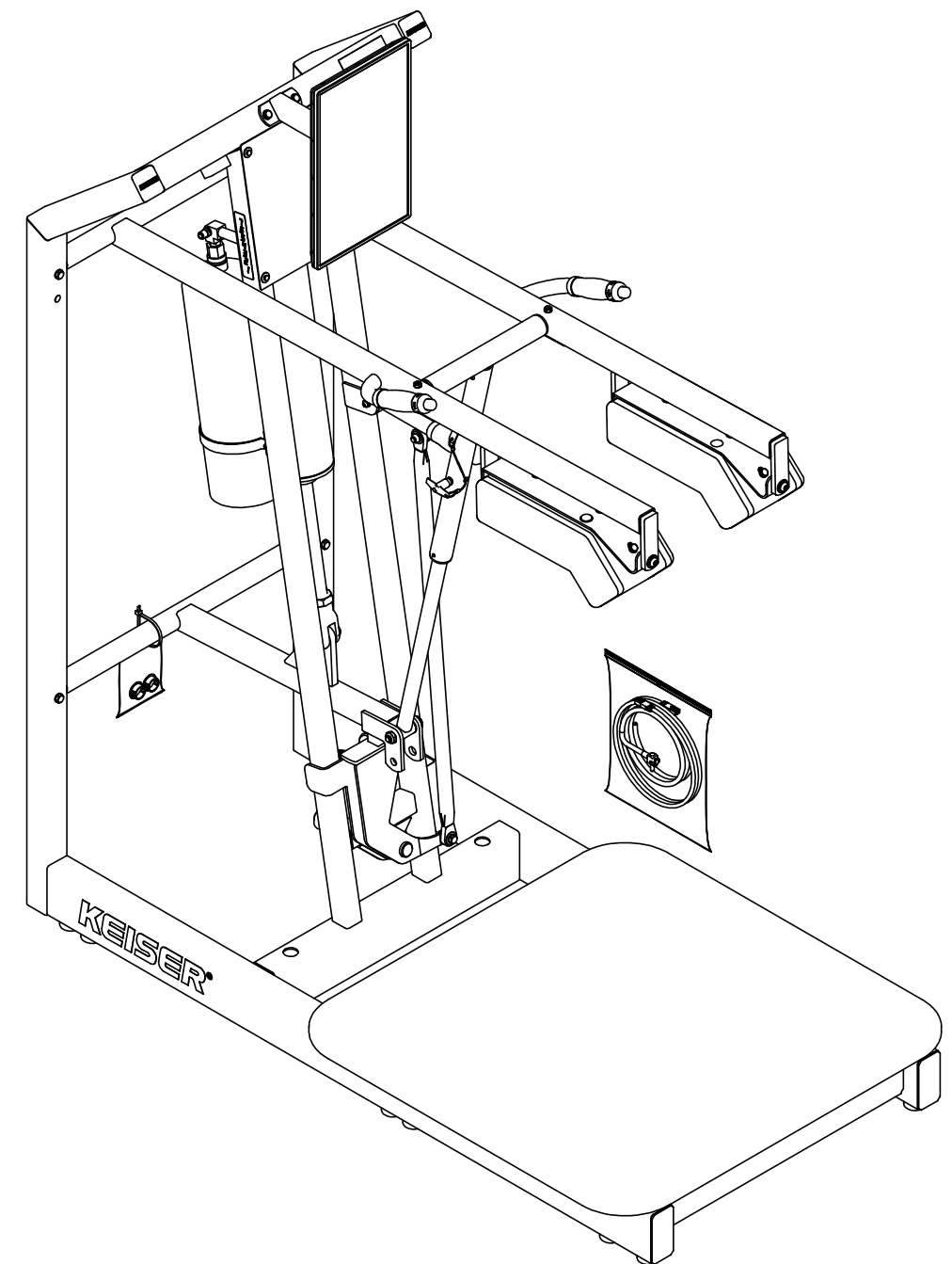
B	4560	REFERENCE PRODUCTION DRAWING REV I	AL	LC	3/10/26	TITLE: A400 SQUAT PRO - SA			
REV	ECO	REVISION DESCRIPTION	BY	CKD	DATE	SHEET 1 OF 2	SCALE: 1:12	DRAWING SIZE: B	PART#: 1534X4-SA

DRAWN BY: JC DATE DRAWN: 10/3/25 CHECKED BY: MP DATE CHECKED: 11/14/25

MATERIAL: RAW MAT: MASS (Kg):

ITEM NO.	QTY.	PART NO.	TITLE	ITEM NO.	QTY.	PART NO.	TITLE
1	3	8043	CON - 3/16 BARB X 1/8 BARB	64	1	150909	WELDT - DRAG LINK-TOP ADJ
2	1	8044	CON - 8MM PTC X 1/4M NPT	65	1	150940	FRAME - MAIN-SQUAT PRO-A400
3	1	8301	BUSH - SPT-7/8 X 3/8	66	1	150941	DISPLAY MT - A400
4	1	8352	NIPPLE - HN-3/8	67	8	151170	EXTRA WEIGHT 1.5X6X21
5	1	8385	Y CONNECTOR - 8MM PTC	68	1	152050	STRAP - TANK
6	1	8477	NIPPLE - LN-3/8 X 3-1/2	69	2	152113	PLATE - SHOULDER PAD
7	1	9006	PIN-SPRING 5/16 X 1-1/8 ZP	70	1	152240	SHAFT - DRAG LINK-UPPER
8	8	9014	SCREW - HSSS 8-32 X 1/8 SS	71	2	152244	SHAFT - PIVOT
9	1	9026	SCREW - HSSS 5/16-18 X 1/4 ZP	72	1	154502	ELBOW - 3/8F-TAPPED-1/4 NPT
10	4	9075	SCREW - SFCHCS 5/16-18 X 1 ZP	73	1	155008	TEE - MUFFLER
11	4	9087	SCREW - CRFCHMS 6-32 X 1/4 SS	74	1	155300	DECAL - CAUTION BK INJURIES
12	4	9098	SCREW - SHCS 1/4-20 X 1/2 ZP	75	1	155369	TANK - 300 CU IN-PAINTED
13	2	9128	SCREW - SHSS 5/8 X 1-1/4 ZP	76	1	155370	DECAL - POSITION-SQUAT ARM-L
14	1	9129	SCREW - SHSS 5/8 X 1 3/4 BLK	77	1	155371	DECAL - POSITION-SQUAT ARM-R
15	2	9152	SCREW - HHCS 1/4-20 X 2 ZP	78	1	155407	TAPE - FOAM-3/4 W
16	1	9153	SCREW - HHCS 1/4-20 X 2-1/4 ZP	79	4	155409	BUMPER - 13/16 DIA-CLEAR
17	2	9175	SCREW - HHCS 5/16-18 X 3/4 ZP	80	1	155500	LOCK PIN
18	4	9176	SCREW - HHCS 5/16-18 X 1 ZP	81	2	165421	STOP - EA-URETHANE
19	2	9181	SCREW - HHCS 5/16-18 X 2-3/4 ZP	82	1	170891	ASSY - MUFFLER-LONG
20	4	9207	SCREW - HHCS 3/8-16 X 2-1/2 ZP	83	4	265404	PLASTIC RIVET
21	2	9226	NUT - HELN 5/16-18 ZP	84	1	332050	PLATE - COVER
22	8	9228	NUT - HELN 3/8-16 ZP	85	1	953098	TUBING - 8MM URETHANE-BLK
23	2	9230	NUT - HEJN 1/2-13 ZP	86	1	953108	TUBING - 1/4 URETHANE BLK
24	1	9241	NUT - HELN 1/2-13 ZP	87	2	962004	CON - 2MM-2-S
25	3	9242	NUT - HEJN 1/4-20 ZP	88	2	962005	CON - MOD-P-4P-4C
26	1	9246	NUT - HELN 10-24 ZP	89	2	962006	CON - MOD-P-6P-4C
27	1	9254	SCREW - HHMS #10-24 X 1-1/4 ZP	90	2	962055	CON - 2MM-8-S
28	9	9255	SCREW - CRPHMS 6-32 X 1/4 ZP	91	1	962070	CON - 2.5MM-6-S
29	12	9279	SCREW - SBHTS-TF 5/16-18 X 3/4 ZP	92	2	962071	CON - S-20-24 AWG-CRIMP-TIN
30	3	9284	SCREW - CRFHMS TAB 4-24 X 0250 SS	93	1	962072	CON - 3MM-2-S
31	4	9353	WASHER - THIN-ACFT 0313 SS	94	2	962073	CON - S-20-24 AWG-CRIMP-MOLEX
32	12	9355	WASHER - FW-ACFT-3/8 SS	95	2	962074	CON - MOD-P-8P-8C
33	9	9366	WASHER - ITLW #6 ZP	96	1	964506	FILTER - FERRITE-310 OHM
34	2	9369	WASHER - THICK-ACFT 0313 SS	97	1	966701	WIRE - CABLE-4-26GA
35	4	9389	WASHER - ITLW 5/16 ZP	98	1	966712	WIRE - CABLE-2-22 GA
36	6	9391	WASHER - FW-ACFT 1/4 SS	99	1	966717	WIRE - CABLE-8-24 GA
37	2	9506	SCREW - SBHCS M6X1 X 10 ZP	100	1	966748	WIRE - CABLE-4 CIRCUIT-MICROFIT-2M
38	1	105058	PLUG - DIA 1-CLEAR	101	1	990851	DISPLAY MODULE - A400
39	12	105423	BUMPER - MOLDED GLIDE	102	1	990856	CYL - XDCR-4000 X 12000
40	1	105443	DECAL - SN-STRENGTH-CE	103	1	990862	KIT - INSTALLATION-A400
41	2	110830	ASSY - TB VALVE-DIG	104	1	990879	MODULE - POWER ENTRY-MDR
42	4	113040	SHOULDER SLEEVE - 1/2 X 1/2	105	1	990881	CKT BRD - PROCESSOR-A400-W SOFTWARE
43	8	115051	BEARING - FLANGE-0.500 ID	106	1	992058	PLATE - DISPLAY BACK-A400
44	2	115052	BEARING - FLANGE-0.625 ID	107	1	992059	PLATE - COVER-PROC BOX
45	2	115054	PLUG - 2 IN SQ-KEISER	108	1	992064	BOX - PROCESSOR-A400
46	2	115056	BEARING - FLANGE-0.625 ID-SHORT	109	2	995000	COLLAR - GRIP
47	1	115318	MUFFLER - EXHAUST-3/8	110	2	995001	CAP - GRIP W HOLE
48	4	115402	PLUG - HOLE-3/8 DIA	111	2	995160	GRIP - MOLDED
49	7	115404	PLUG - HOLE-1 DIA	112	1	995300	DECAL - TB-PLUS
50	8	115423	TIE - 8 IN-PL BLK	113	1	995301	DECAL - TB-MINUS
51	1	115429	PLASTIC TIE - 10" RED	114	1	995324	DECAL - MADE IN THE USA
52	4	115450	WASHER - FW .88 X .39 X .07 NP	115	1	995330	FILTER - IN LINE-8MM PTC
53	4	115451	SCREW - SBHCS 3/8-16 X 1-1/4 NP	116	1	995418	BAG - 4 X 6 X 4MIL-ZIP LOCK
54	1	135049	CAP - Ø1 ID	117	2	995602	DECAL - KEISER LOGO-2" RED
55	9	135050	BEARING - FLANGE-1" ID				
56	1	135056	CAP - 1.500 SQ-PL				
57	2	135422	RUBBER CRUTCH TIP - #20 BLK				
58	1	150809X	ARM REST - SQUAT PRO				
59	1	150851	FOOT PAD				
60	2	150865	ASSY - SHOULDER CUSHION				
61	1	150903	WELDT - DRAG LINK-BOTTOM ADJ				
62	1	150904	LEVER ARM				
63	1	150905	EX ARM				

1534X4-SA



PRINTED ON: 3/10/2026

KEISER[®]

2470 South Cherry Ave. Phone: (559) 256-8000
 Fresno, CA, USA 93706-5004 Fax: (559) 256-8100

THE INFORMATION DISCLOSED HEREIN WAS ORIGINATED BY AND IS THE PROPERTY OF KEISER CORP. AND ALL PATENT, PROPRIETARY, DESIGN, USE, SALE, MANUFACTURING, AND REPRODUCTION RIGHTS THERETO ARE RESERVED BY KEISER CORP.

DIMENSIONS ARE IN INCHES
 DIMENSIONS IN [] ARE MILLIMETERS
 BREAK SHARP EDGES .005-.015 [.10-.40]
 MACHINED SURFACE FINISH IS
 63 MICROINCHES [1.6 MICROMETERS]
 DO NOT SCALE DRAWING

DRAWN BY: JC DATE DRAWN: 10/3/25 CHECKED BY: MP DATE CHECKED: 11/14/25

MATERIAL: RAW MAT: MASS (Kg):

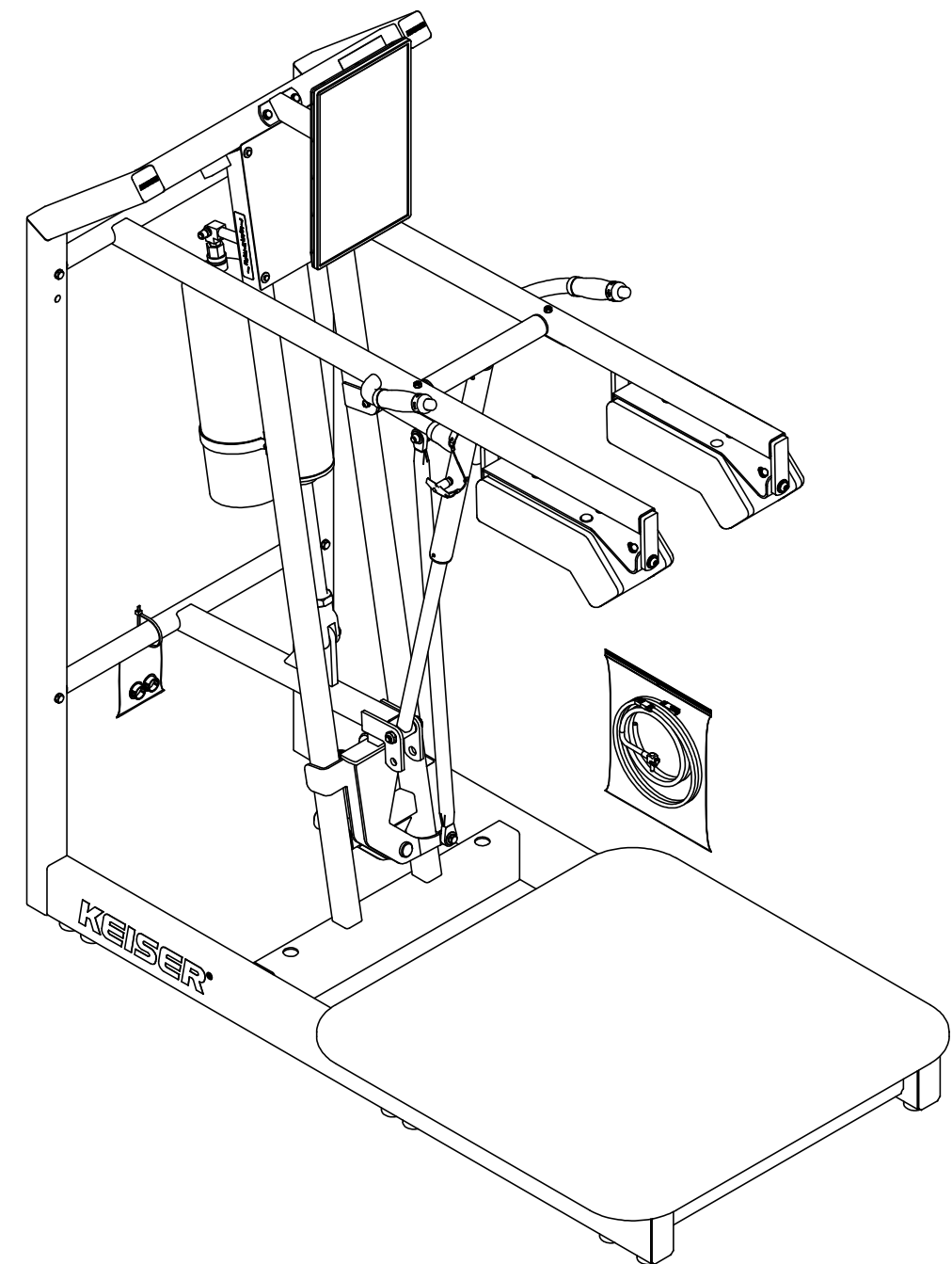
TITLE: A400 SQUAT PRO - SA

SHEET 2 OF 2 SCALE: 1:12 DRAWING SIZE: B PART#: 1534X4-SA

REV	ECO	REVISION DESCRIPTION	BY	CKD	DATE
B	4560	REFERENCE PRODUCTION DRAWING REV I	AL	LC	3/10/26

ITEM NO.	QTY.	PART NO.	TITLE	ITEM NO.	QTY.	PART NO.	TITLE
1	3	8043	CON - 3/16 BARB X 1/8 BARB	64	1	150909	WELDT - DRAG LINK-TOP ADJ
2	1	8044	CON - 8MM PTC X 1/4M NPT	65	1	150940	FRAME - MAIN-SQUAT PRO-A400
3	1	8301	BUSH - SPT-7/8 X 3/8	66	1	150941	DISPLAY MT - A400
4	1	8352	NIPPLE - HN-3/8	67	8	151170	EXTRA WEIGHT 1.5X6X21
5	1	8385	Y CONNECTOR - 8MM PTC	68	1	152050	STRAP - TANK
6	1	8477	NIPPLE - LN-3/8 X 3-1/2	69	2	152113	PLATE - SHOULDER PAD
7	1	9006	PIN-SPRING 5/16 X 1-1/8 ZP	70	1	152240	SHAFT - DRAG LINK-UPPER
8	8	9014	SCREW - HSSS 8-32 X 1/8 SS	71	2	152244	SHAFT - PIVOT
9	1	9026	SCREW - HSSS 5/16-18 X 1/4 ZP	72	1	154502	ELBOW - 3/8F-TAPPED-1/4 NPT
10	4	9075	SCREW - SFCHCS 5/16-18 X 1 ZP	73	1	155008	TEE - MUFFLER
11	4	9087	SCREW - CRFCHMS 6-32 X 1/4 SS	74	1	155300	DECAL - CAUTION BK INJURIES
12	4	9098	SCREW - SHCS 1/4-20 X 1/2 ZP	75	1	155369	TANK - 300 CU IN-PAINTED
13	2	9128	SCREW - SHSS 5/8 X 1-1/4 ZP	76	1	155370	DECAL - POSITION-SQUAT ARM-L
14	1	9129	SCREW - SHSS 5/8 X 1 3/4 BLK	77	1	155371	DECAL - POSITION-SQUAT ARM-R
15	2	9152	SCREW - HHCS 1/4-20 X 2 ZP	78	1	155407	TAPE - FOAM-3/4 W
16	1	9153	SCREW - HHCS 1/4-20 X 2-1/4 ZP	79	4	155409	BUMPER - 13/16 DIA-CLEAR
17	2	9175	SCREW - HHCS 5/16-18 X 3/4 ZP	80	1	155500	LOCK PIN
18	2	9181	SCREW - HHCS 5/16-18 X 2-3/4 ZP	81	2	165421	STOP - EA-URETHANE
19	4	9186	SCREW - HHCS 5/16-18 X 4-1/2 ZP	82	1	170891	ASSY - MUFFLER-LONG
20	4	9207	SCREW - HHCS 3/8-16 X 2-1/2 ZP	83	4	265404	PLASTIC RIVET
21	2	9226	NUT - HELN 5/16-18 ZP	84	1	332050	PLATE - COVER
22	8	9228	NUT - HELN 3/8-16 ZP	85	1	953098	TUBING - 8MM URETHANE-BLK
23	1	9241	NUT - HELN 1/2-13 ZP	86	1	953108	TUBING - 1/4 URETHANE BLK
24	2	9230	NUT - HEJN 1/2-13 ZP	87	2	962004	CON - 2MM-2-S
25	3	9242	NUT - HEJN 1/4-20 ZP	88	2	962005	CON - MOD-P-4P-4C
26	1	9246	NUT - HELN 10-24 ZP	89	2	962006	CON - MOD-P-6P-4C
27	1	9254	SCREW - HHMS #10-24 X 1-1/4 ZP	90	2	962055	CON - 2MM-8-S
28	9	9255	SCREW - CRPHMS 6-32 X 1/4 ZP	91	1	962070	CON - 2.5MM-6-S
29	12	9279	SCREW - SBHTS-TF 5/16-18 X 3/4 ZP	92	2	962071	CON - S-20-24 AWG-CRIMP-TIN
30	3	9284	SCREW - CRFHMS TAB 4-24 X 0250 SS	93	1	962072	CON - 3MM-2-S
31	4	9353	WASHER - THIN-ACFT 0313 SS	94	2	962073	CON - S-20-24 AWG-CRIMP-MOLEX
32	12	9355	WASHER - FW-ACFT-3/8 SS	95	2	962074	CON - MOD-P-8P-8C
33	9	9366	WASHER - ITLW #6 ZP	96	1	964506	FILTER - FERRITE-310 OHM
34	2	9369	WASHER - THICK-ACFT 0313 SS	97	1	966701	WIRE - CABLE-4-26GA
35	4	9389	WASHER - ITLW 5/16 ZP	98	1	966712	WIRE - CABLE-2-22 GA
36	6	9391	WASHER - FW-ACFT 1/4 SS	99	1	966717	WIRE - CABLE-8-24 GA
37	2	9506	SCREW - SBHCS M6X1 X 10 ZP	100	1	966748	WIRE - CABLE-4 CIRCUIT-MICROFIT-2M
38	1	105058	PLUG - DIA 1-CLEAR	101	1	990851	DISPLAY MODULE - A400
39	12	105423	BUMPER - MOLDED GLIDE	102	1	990856	CYL - XDCR-4000 X 12000
40	1	105443	DECAL - SN-STRENGTH-CE	103	1	990862	KIT - INSTALLATION-A400
41	2	110830	ASSY - TB VALVE-DIG	104	1	990879	MODULE - POWER ENTRY-MDR
42	4	113040	SHOULDER SLEEVE - 1/2 X 1/2	105	1	990881	CKT BRD - PROCESSOR-A400-W SOFTWARE
43	8	115051	BEARING - FLANGE-0.500 ID	106	1	992058	PLATE - DISPLAY BACK-A400
44	2	115052	BEARING - FLANGE-0.625 ID	107	1	992059	PLATE - COVER-PROC BOX
45	2	115054	PLUG - 2 IN SQ-KEISER	108	1	992064	BOX - PROCESSOR-A400
46	2	115056	BEARING - FLANGE-0.625 ID-SHORT	109	2	995000	COLLAR - GRIP
47	1	115318	MUFFLER - EXHAUST-3/8	110	2	995001	CAP - GRIP W HOLE
48	4	115402	PLUG - HOLE-3/8 DIA	111	2	995160	GRIP - MOLDED
49	7	115404	PLUG - HOLE-1 DIA	112	1	995300	DECAL - TB-PLUS
50	8	115423	TIE - 8 IN-PL BLK	113	1	995301	DECAL - TB-MINUS
51	1	115429	PLASTIC TIE - 10" RED	114	1	995324	DECAL - MADE IN THE USA
52	4	115450	WASHER - FW .88 X .39 X .07 NP	115	1	995330	FILTER - IN LINE-8MM PTC
53	4	115451	SCREW - SBHCS 3/8-16 X 1-1/4 NP	116	1	995418	BAG - 4 X 6 X 4MIL-ZIP LOCK
54	1	135049	CAP - Ø1 ID	117	2	995602	DECAL - KEISER LOGO-2" RED
55	9	135050	BEARING - FLANGE-1" ID				
56	1	135056	CAP - 1.500 SQ-PL				
57	2	135422	RUBBER CRUTCH TIP - #20 BLK				
58	1	150809X	ARM REST - SQUAT PRO				
59	1	150851	ASSY - FOOT PAD				
60	2	150865	ASSY - SHOULDER CUSHION				
61	1	150903	WELDT - DRAG LINK-BOTTOM ADJ				
62	1	150904	LEVER ARM				
63	1	150905	EX ARM				

1534X4-SA



PRINTED ON: 11/21/2025

KEISER[®]

2470 South Cherry Ave. Phone: (559) 256-8000
 Fresno, CA, USA 93706-5004 Fax: (559) 256-8100

THE INFORMATION DISCLOSED HEREIN WAS ORIGINATED BY AND IS THE PROPERTY OF KEISER CORP. AND ALL PATENT, PROPRIETARY, DESIGN, USE, SALE, MANUFACTURING, AND REPRODUCTION RIGHTS THERETO ARE RESERVED BY KEISER CORP.

DIMENSIONS ARE IN INCHES
 DIMENSIONS IN [] ARE MILLIMETERS
 BREAK SHARP EDGES .005-.015 [.10-.40]
 MACHINED SURFACE FINISH IS
 63 MICROINCHES [1.6 MICROMETERS]
 DO NOT SCALE DRAWING

DRAWN BY: JC DATE DRAWN: 10/3/25 CHECKED BY: MP DATE CHECKED: 11/14/25

MATERIAL: RAW MAT: MASS (Kg):

TITLE: A400 SQUAT PRO - SA

SHEET 2 OF 2 SCALE: 1:12 DRAWING SIZE: B PART#: 1534X4-SA

REV	ECO	REVISION DESCRIPTION	BY	CKD	DATE
A	4487	REFERENCE PRODUCTION DRAWING H	JC	LC	11/21/25