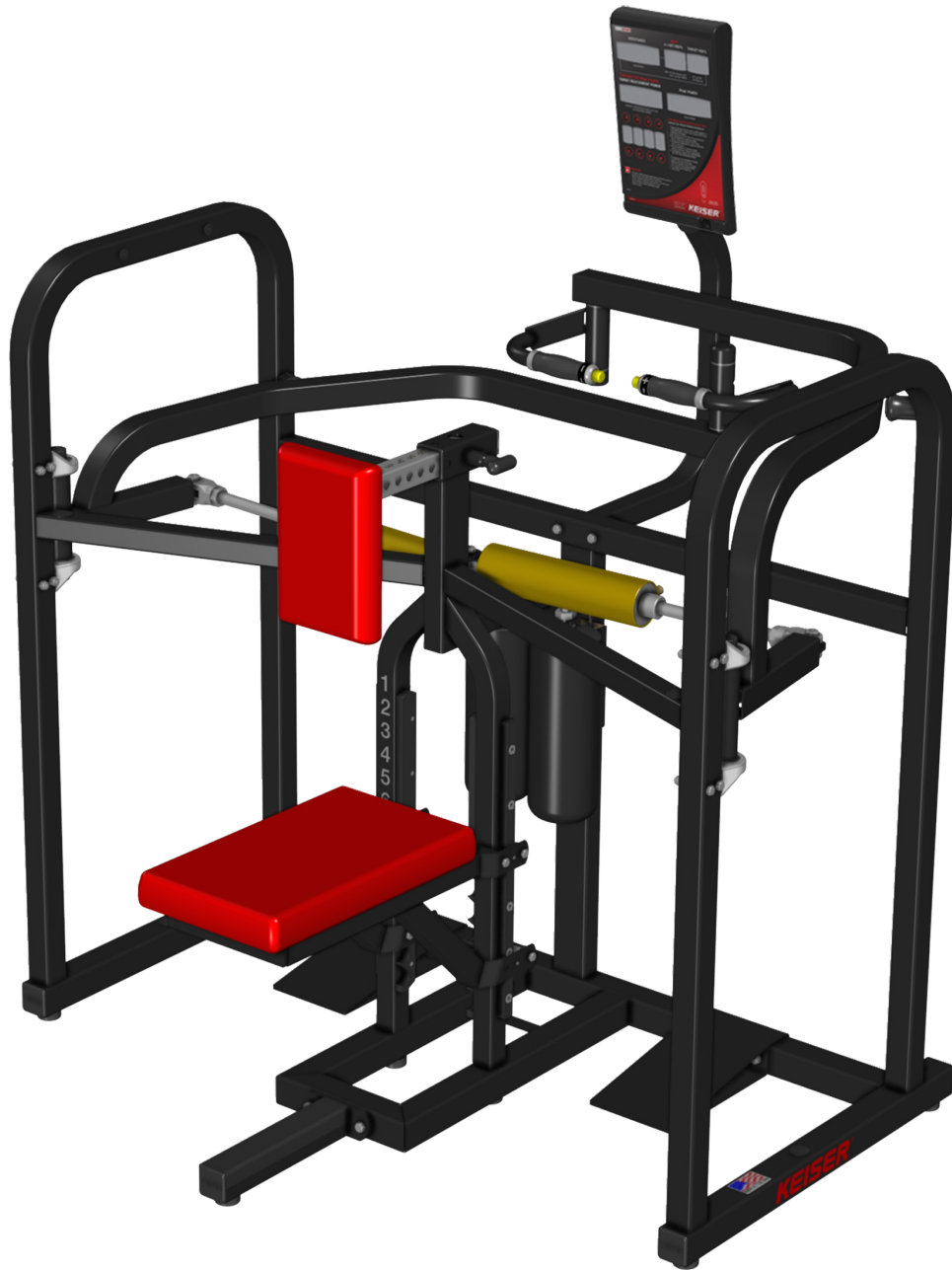


KEISER®

STRENGTH | CARDIO | FUNCTIONAL



AIR350

BIAXIAL UPPER BACK

MODELS: 002035BP, 002035SP

OPERATION MANUAL

CONTENTS

03 – GENERAL INFORMATION

- 03_INTRODUCTION
- 03_REGISTER YOUR PURCHASE
- 03_SERIAL NUMBER INFORMATION

04 – IMPORTANT SAFETY INFORMATION

- 05_CONVENTIONS USED
- 05_SAFETY AND NOTIFICATION LABELS
- 06_CONTRAINDICATIONS

07 – TECHNICAL SPECIFICATIONS

- 07_EQUIPMENT SPECIFICATIONS
- 07_TECHNICAL DATA

08 – INSTALLATION AND PLACEMENT

- 08_TRAINING SPACE

09 – OPERATION

- 09_EQUIPMENT OVERVIEW
- 10_POWER DISPLAY
- 12_PROPER OPERATION CHECK
- 13_HOW TO USE THE AIR350 BIAXIAL UPPER BACK
- 15_POWER TEST

16 – MAINTENANCE

- 16_PREVENTATIVE MAINTENANCE SCHEDULE
- 17_BATTERY REPLACEMENT
- 18_ANNUAL MAINTENANCE

19 – REGULATORY AND COMPLIANCE NOTICES

- 19_SAFETY NOTIFICATIONS
- 20_ELECTROMAGNETIC COMPATIBILITY (EMC)
- 20_US FCC COMPLIANCE STATEMENT
- 20_DISPOSAL

23 – WARRANTY STATEMENT

Keiser, the Keiser logo, and other trademarks associated with Keiser products referred to in this publication are trademarks of Keiser Corporation. © 2026 Keiser Corporation. All rights reserved.

Distribution and copying of this document, use and communication of its contents is not permitted without written authorization from Keiser Corporation. The content of this document is furnished for informational use only, may be subject to change without notice, and should not be construed as a commitment by Keiser Corporation. Every effort has been made to ensure that the information in this manual is accurate. Keiser Corporation is not responsible for printing or clerical errors.

GENERAL INFORMATION

INTRODUCTION

Congratulations on the purchase of your new Keiser Air350 Biaxial Upper Back and welcome to the Keiser family. Keiser’s Dynamic Variable Resistance safely builds strength at any speed, which is key to building maximum power.

For your safety, and to ensure the best experience and maximum gains, it is critical that you read and understand this manual before you begin using the Air350 Biaxial Upper Back. If you have any questions regarding the operation of the Air350 Biaxial Upper Back after reading this manual, our Keiser Customer Support team will be happy to assist by telephone at 1 559 256 8000 and via live chat at keiser.com/support (Monday–Friday, 7 am to 5:30 pm PST), or by email at service@keiser.com.

Yours in Health,
Keiser Corporation

REGISTER YOUR PURCHASE

Register your Air350 Biaxial Upper Back to stay informed of safety notifications and for faster, more accurate warranty service.

Scan the QR Code to the right to access the interactive online warranty registration form or visit:

<https://www.keiser.com/forms/warrantyregistration>



SCAN

SERIAL NUMBER INFORMATION

Please take a moment at this time to record the serial number in the space provided below.

Serial No.: _____

Serial Number Information	
A	Manufacturer name, logo, and address
B	Country of manufacture
C	Patent information notification
D	WEEE Directive mark
E	CE mark
F	TÜV SÜD mark
G	Unique Device Identification (UDI)
H	ISO Accuracy and Usage Classes
I	Maximum User Weight Limit
J	Medical Device Risk Classification
K	European Authorized Representative
L	UK Responsible Person
M	Serial number and date of manufacture
N	Model number and product description
O	UK Conformity Assessed mark

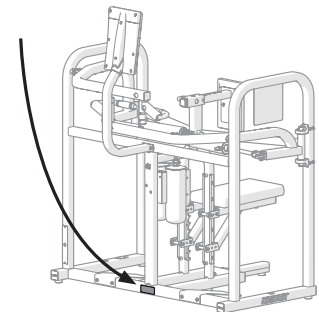
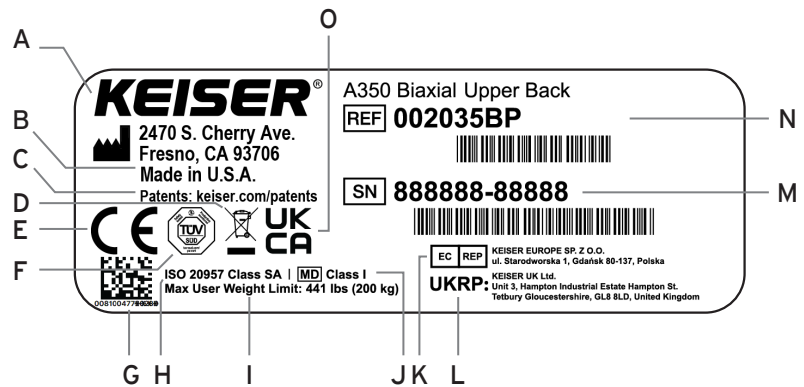


Figure 1. Serial Number Location and Information

Marking plate illustration is for reference only. Refer to the marking plate attached to the equipment for specific product information.

IMPORTANT SAFETY INFORMATION

It is the sole responsibility of the purchaser of Keiser Corporation equipment to instruct all individuals, whether they are the end-user or supervising personnel, on proper usage of the equipment. Keiser Corporation recommends that all users of its equipment be informed of the following information before use.

1.  Read these instructions.
2. Heed all warnings.
3. Follow these instructions.
4. Intended use of the Air350 Biaxial Upper Back is for physical activity or Physiotherapy (sometimes referred to as physical therapy).
5. The Air350 Biaxial Upper Back is intended for individuals aiming to maintain and restore maximum movement and functional ability throughout their lifespan, including circumstances where movement and function are limited by aging, injury, pain, disease, disorders, conditions, or environmental factors, especially in case of using the Air350 Biaxial Upper Back in physical therapy.
6. Consult your physician before beginning any exercise program.
7. The Air350 Biaxial Upper Back is intended for use in training areas of organizations where access and control are specifically regulated by a person responsible for determining the suitability of use and maintenance.
8. Maximum user weight limit: 441 lbs (200 kg).
9. Use the Air350 Biaxial Upper Back indoor in a climate-controlled environment only. Keep away from areas of extreme humidity.
10. The use of this Air350 Biaxial Upper Back for any purpose not explicitly specified by the manufacturer in this manual is prohibited.
11. Wear proper exercise clothing and shoes for exercise. Avoid wearing loose clothing that might catch on any moving parts. Tie long hair back.
12. The Air350 Biaxial Upper Back is not a toy. Children shall not play with the Air350 Biaxial Upper Back. Children under 14 years old should not use the Air350 Biaxial Upper Back. Keep children and pets clear from the Air350 Biaxial Upper Back at all times, especially while in use. Cleaning and user maintenance shall not be performed by children.
13. The Air350 Biaxial Upper Back can be used by children age 14 years and above. Persons with mental disabilities, reduced physical, mental, or sensory capabilities, or lack of experience or knowledge should not use the Air350 Biaxial Upper Back without constant supervision by a spotter/supervisor.
14. Proper warm-up required to help prevent injury. This Air350 Biaxial Upper Back should only be used with proper instructions. Always maintain good form and control during exercise. If you feel pain or are unable to maintain good form, stop immediately. Failure to follow these instructions could result in injury.
15. Always maintain control of the Handles (Exercise Arms) during exercise. The sudden release of the Exercise Arms during exercise will cause the Exercise Arms to recoil uncontrollably and could result in serious injury or property damage. Bring the Exercise Arms to the start position in a controlled manner to safely end exercise. If at any time you are not able to control the amount of resistance during exercise, push the left ("←") Thumb Button to reduce the resistance.
16. Never perform Power Test without a proper warm-up. This high resistance/high-speed test should only be performed with proper instructions (see page 15 "Power Test" for complete instruction). Always maintain good form and control during the test. If you feel pain or are unable to maintain good form, stop immediately. Failure to follow these instructions could result in injury.
17. Never make adjustments to the machine during exercise as this may cause muscle strain. Always return the Exercise Arms to the start position before making any adjustments to help prevent injury.
18. The highest level of safety can only be ensured if the equipment is regularly inspected for damage and wear. Always check the equipment before use for proper function and any damaged, worn, or broken parts. Immediately replace damaged, worn, or broken parts. Do not use the Air350 Biaxial Upper Back until all repairs have been completed and tested by a Keiser-certified technician.
19. Use only replacement parts supplied/recommended by Keiser Corporation. Attempting to repair or replace any damaged, worn, or broken parts on your own is not recommended. A Keiser-certified technician should be consulted.
20. The use of any exercise equipment, including, without limitation, Keiser's strength training equipment in which resistance can be changed at any time during the repetition, without proper instruction and supervision violates the terms of the agreement for the purchase of such products. The ability to add resistance anytime during a repetition, including, without limitation, the ability to do a heavy negative may be dangerous, especially for anyone that does not recognize or respect the potential danger.
21. Users, agents, and/or anyone directing the use of the Air350 Biaxial Upper Back shall determine the suitability of the Air350 Biaxial Upper Back for its intended use, and said parties are specifically put on notice that they shall assume all risk and liability in connection herewith.
22. If you do not understand these instructions or have doubts about the safety of the installation, assembly, or use of this product, contact Keiser Customer Support:
 -  1 559 256 8000
 -  service@keiser.com
 -  keiser.com/support
Telephone and Live Chat
Monday–Friday 7 am to 5:30 pm PST

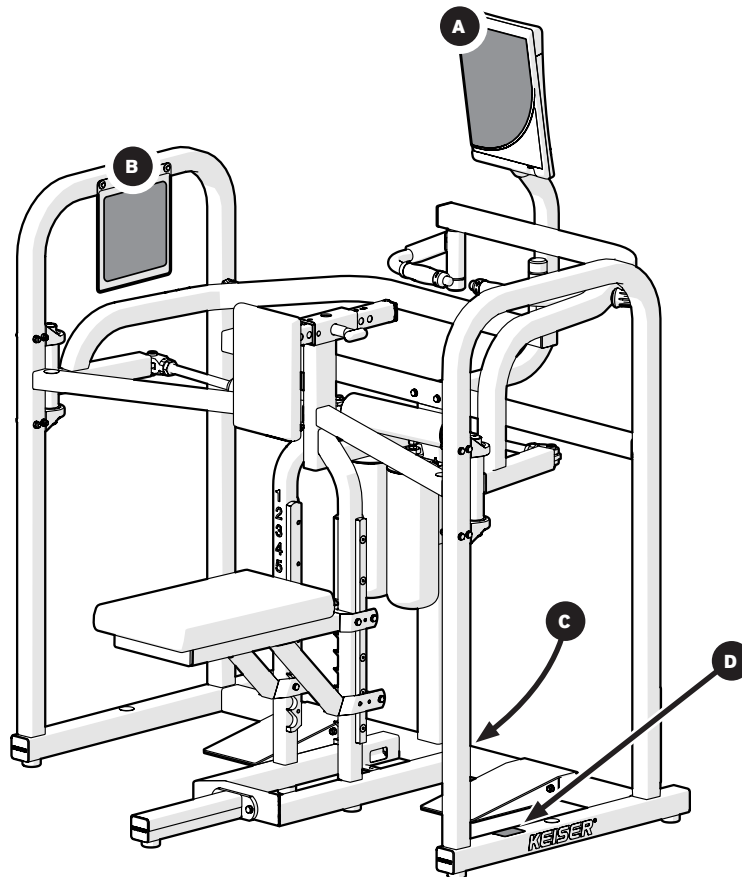
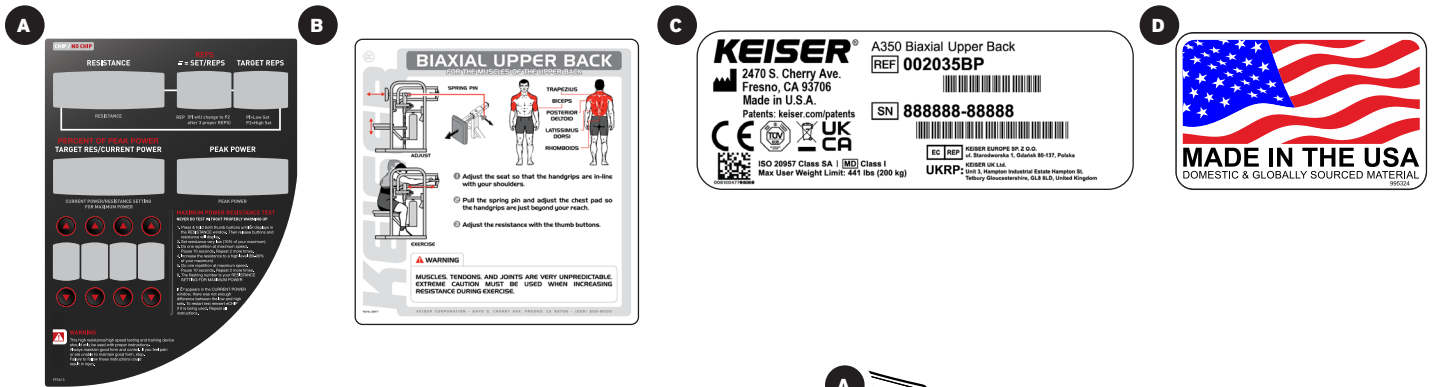
IMPORTANT SAFETY INFORMATION

CONVENTIONS USED

This Operation Manual contains the following marks:

- ⚠ WARNING:** Indicates a hazardous situation that, if not avoided, could result in death or serious injury.
- ⚠ CAUTION:** Indicates a hazardous situation that, if not avoided, could result in minor or moderate injury.
- ❗ IMPORTANT:** Indicates information considered critical, but not hazard-related.

SAFETY AND NOTIFICATION LABELS



Maintain and do not remove safety or notification labels for any reason. They contain important information. If unreadable or missing, contact Keiser Corporation for a replacement (see back cover for contact information).

IMPORTANT SAFETY INFORMATION**CONTRAINDICATIONS**

There are a number of contraindications in the context of the relevant fields of the Air350 Biaxial Upper Back use. In rehabilitation, only the medical staff can determine the form and extent of therapy. Medications can have an influence on the rehabilitation (e.g. neuroleptics, benzodiazepines, barbiturates, anti-epileptics, etc.). In the following cases, Air350 Biaxial Upper Back training may only be carried out after consultation with a doctor:

- Pregnancy
- Acute thrombosis
- Fresh wounds (e.g. after surgery)
- Artificial joints or prosthetics
- Bone fractures
- Spinal disc damage
- Traumatic injury to the spine
- Diabetes
- Epilepsy
- Inflammation
- Acute migraine headache
- Chronic illnesses
- Cancer
- Acute myocardial infarction or unstable angina pectoris (determined by a stress test)
- Cardiovascular diseases e.g. severe high blood pressure at rest, carditis, congestive heart failure, severe valvular heart disease, dangerous heart arrhythmias at rest, or aortic aneurysm

If the patient is experiencing acute illness, febrile condition (i.e. fever), or newly occurring pain, this represents an absolute contraindication for physical stress. In such situations, it is necessary to postpone training until the patient's health has improved sufficiently.

In some situations (especially in patients with coronary heart disease or lung disease) overstraining can lead to an acute intensification of the patient's symptoms. In such situations, an exercise ECG is essential and training is only possible under medical supervision.

The use of the automated operation (pulse automatic, preset programs, external control via computer or other device) is prohibited, unless the strain was authorized by a physician in accordance with the patient's capacity/health.

For applications in endurance training, diagnostics and performance testing of patients, performance diagnostics, and stress tests, the same contraindications apply (among others) as with all physical stress. If there is doubt, it is important that a physician be consulted before using the Air350 Biaxial Upper Back.

TECHNICAL SPECIFICATIONS

Model Number	Device Full Description
002035BP	Air350 Biaxial Upper Back, Black (color), Power (additional display feature)
002035SP	Air350 Biaxial Upper Back, Special (color), Power (additional display feature)

EQUIPMENT SPECIFICATIONS

See Figure 2 for Air350 Biaxial Upper Back dimensions and weight.

- Resistance Range 0 - 350 lbs (0 - 159 kg), change resistance in 1 lb/kg increments
- Unilateral and bilateral Exercise Arm movement
- Adjustable Seat and Chest Pad
- Maximum user weight limit: 441 lbs (200 kg)

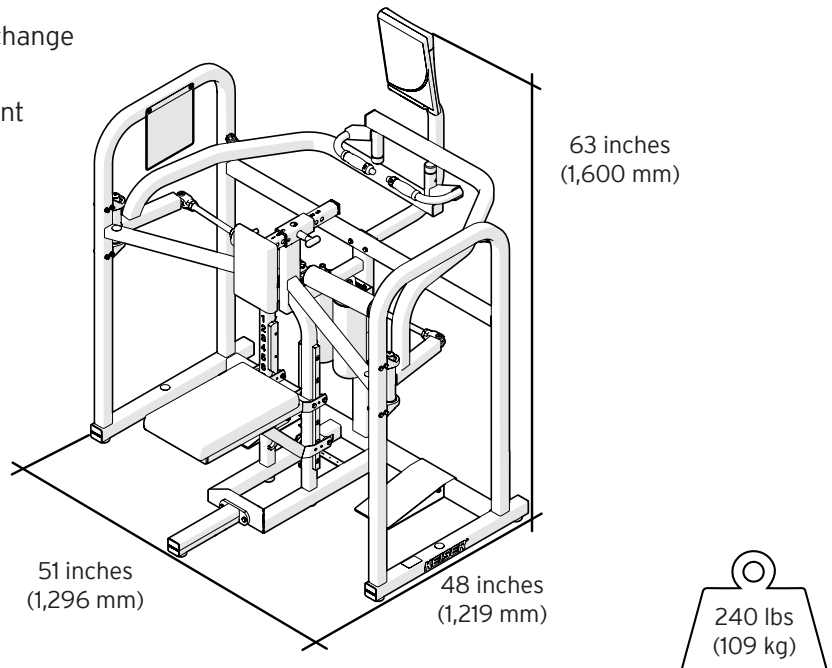


Figure 2. Air350 Biaxial Upper Back Equipment Specifications

TECHNICAL DATA

AIR STORAGE TANKS

The equipment contains two air storage tanks (air accumulator) with the following operating parameters:

Maximum working pressure:	125 psi (8.6 bar)
Maximum working temperature:	104°F (40°C)
Minimum working temperature:	32°F (0°C)
Maximum vessel capacity:	144 in ³ (2.36 L) per tank

POWER

- 1.5V D Alkaline Batteries (quantity 2, Keiser PN 966500)
- 3V CR2032 Lithium Coin Cell Battery (quantity 1)
Permanently attached, not serviceable. Contact Keiser Customer Support for service.

INSTALLATION AND PLACEMENT

No assembly required. Place the Air350 Biaxial Upper Back on a flat, level surface. Make sure the base of the frame makes full contact with the floor. If gaps are present, relocate the equipment to an even surface.

CONNECT THE EQUIPMENT TO THE KEISER AIR SYSTEM

⚠ WARNING: Never connect equipment to an air source capable of exceeding 120 psi / 8.27 bar. Over pressurizing Keiser pneumatic equipment may cause tubing to burst, breakage of equipment, abnormal operation, or serious injury. Use only clean, dry, regulated compressed air at the rated pressure range of 100-120 psi / 6.89-8.27 bar.

1. Plug the Compressor into the appropriate power source to power the Compressor ON (allow the Compressor to build up to a minimum of 100 psi / 6.89 bar; Keiser Compressor and Keiser Air System not included, sold separately).
2. Connect the 1/4-inch Quick Disconnect (QD) from the equipment into the Keiser Air Supply (see Figure 3).

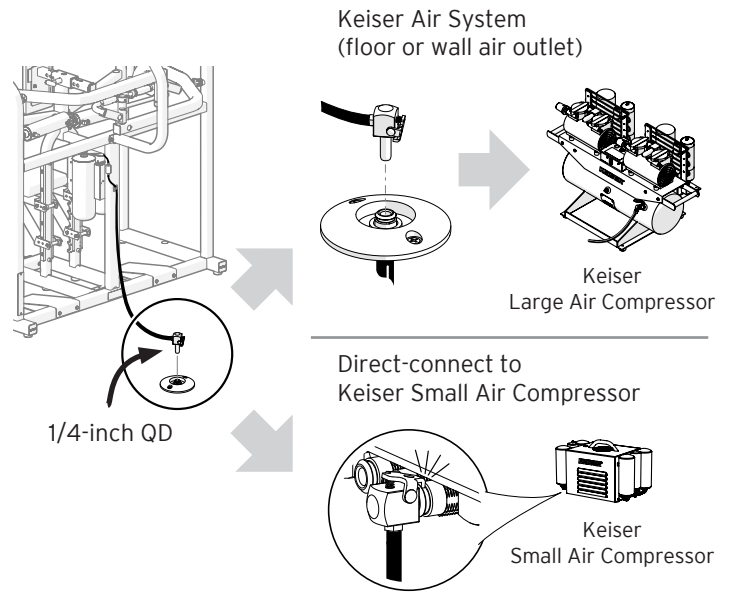


Figure 3. How to Connect the Equipment to the Keiser Air Supply

TRAINING SPACE

The equipment footprint is 51 inches x 48 inches (1,296 mm x 1,219 mm). The minimum recommended free space around the equipment is 24 inches (610 mm) for the front and sides.

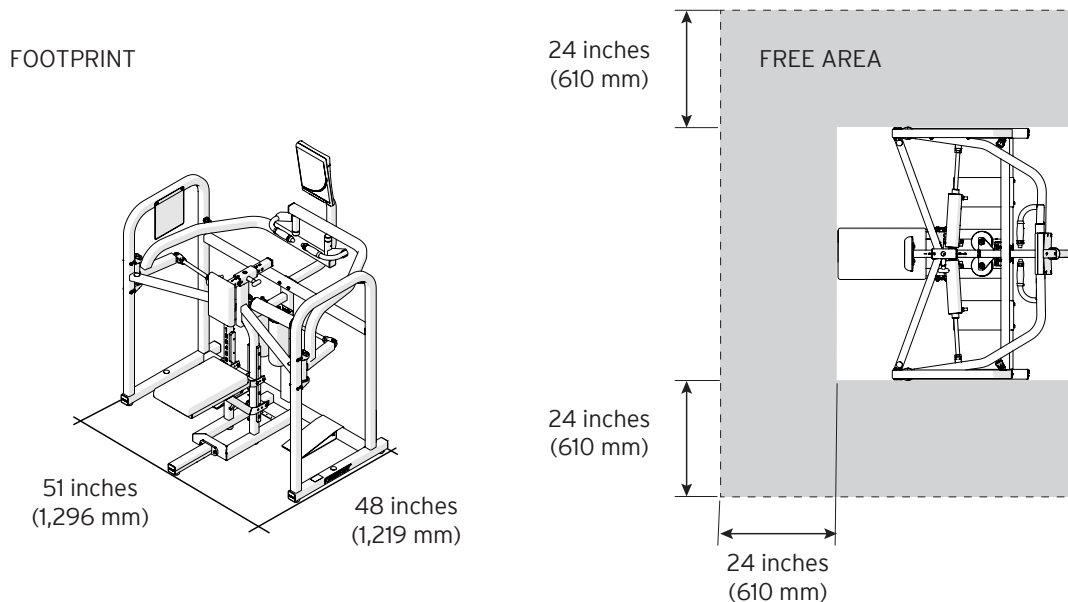


Figure 4. Training Space for the Air350 Biaxial Upper Back

Note: Additional Free Space may be required to accommodate mobility device access.

OPERATION

EQUIPMENT OVERVIEW

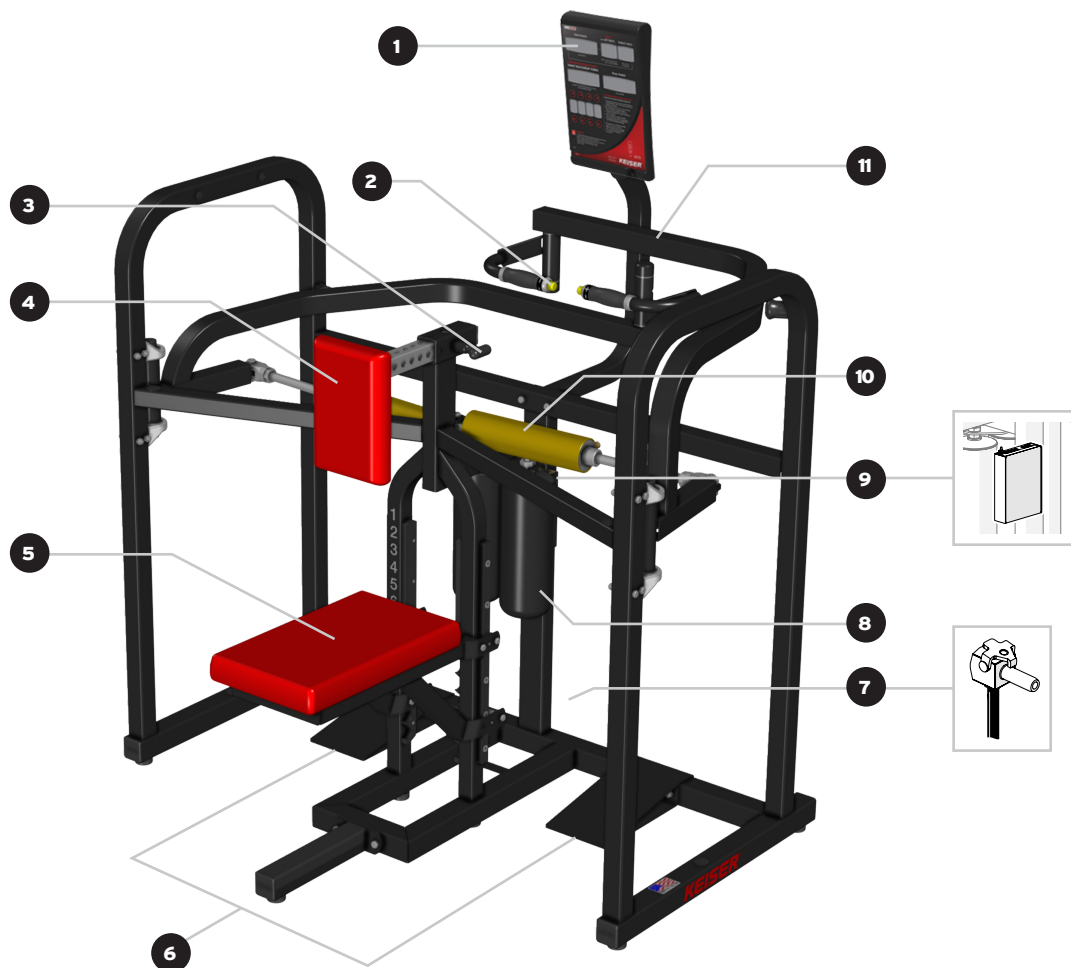


Figure 5. Air350 Biaxial Upper Back

1	Power Display	7	Quick Disconnect (QD) with Tube
2	Increase/Decrease (+/-) Thumb Buttons	8	Air Tanks
3	Spring Pin (Chest Pad Adjustment)	9	Processor Box
4	Chest Pad	10	Cylinders
5	Adjustable Seat	11	Exercise Arms
6	Footrest	12	Instruction Placard (not shown)

POWER DISPLAY

DISPLAY FEATURES

Resistance, Reps, and Power workout data output on the Power Display are shown below.

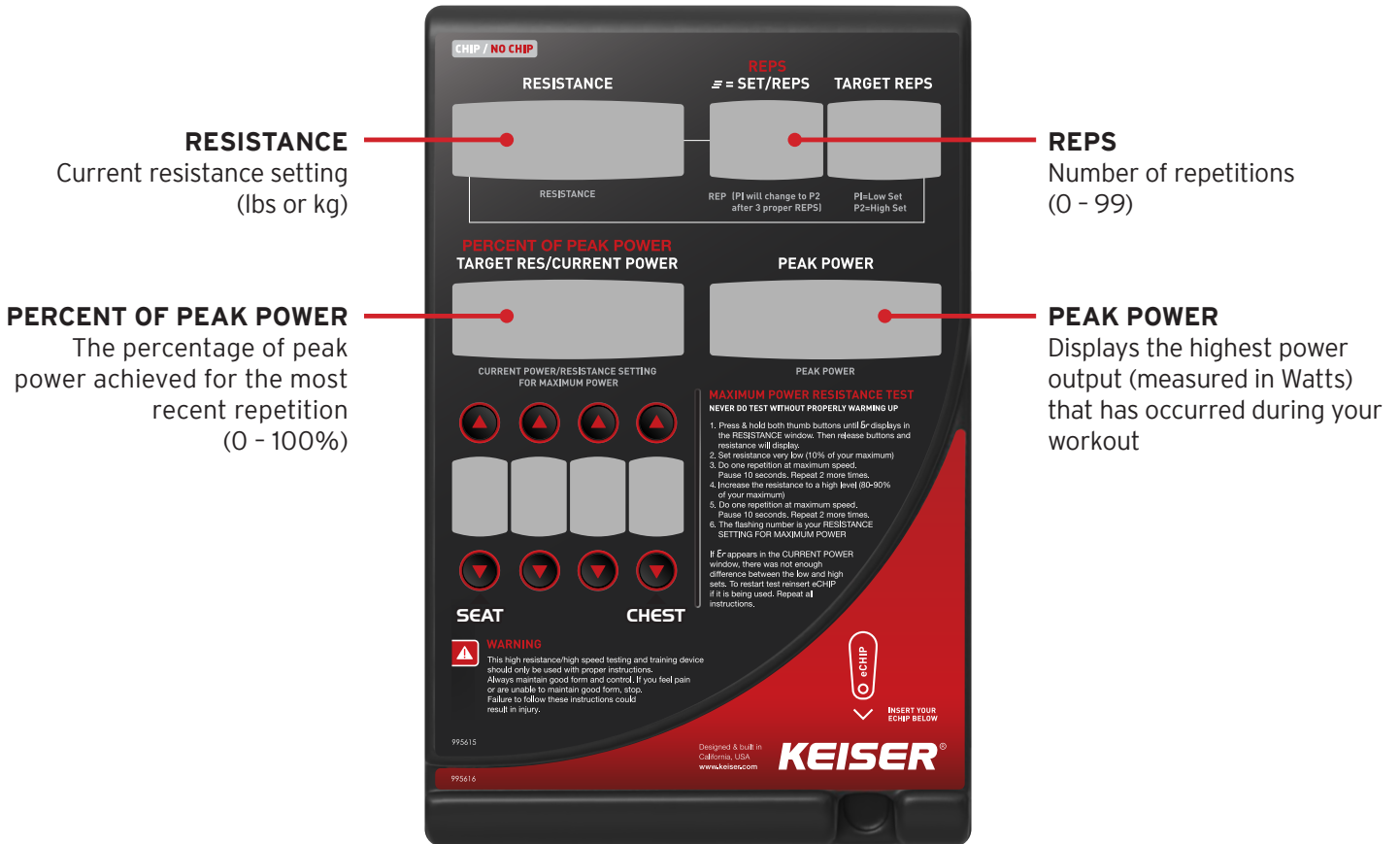


Figure 6. Power Display Overview

OPERATION

How to Adjust the Resistance

- Increase the resistance using the Positive “+” Thumb Button.
- Decrease the resistance using the Negative “-” Thumb Button.

How to Reset/Clear Workout Data (Reps, Percent of Peak Power, and Peak Power)

- Press and hold the Thumb Buttons simultaneously, release when “CLER” appears in the RESISTANCE window.
- eChip Users: “CLER” also deletes the current workout data from the eChip.

System Messages (appear in the RESISTANCE window)

- “OFF” = low-power consumption sleep mode.
Sleep mode occurs after 60 seconds of machine inactivity to help prolong battery life. To wake, press either Thumb Button and resume operation.
- “Lo-bA” (Low Battery) = weak batteries, replace soon.
If the batteries are dead (depleted), the Power Display remains blank. See page 17 “Battery Replacement” section for procedure.

POWER DISPLAY

POWER DISPLAY FEATURES WITH eCHIP

The Keiser eChip* is an optional digital workout log that records and recalls your workout data. Additional workout data made available when using the Power Display with an eChip are shown below.

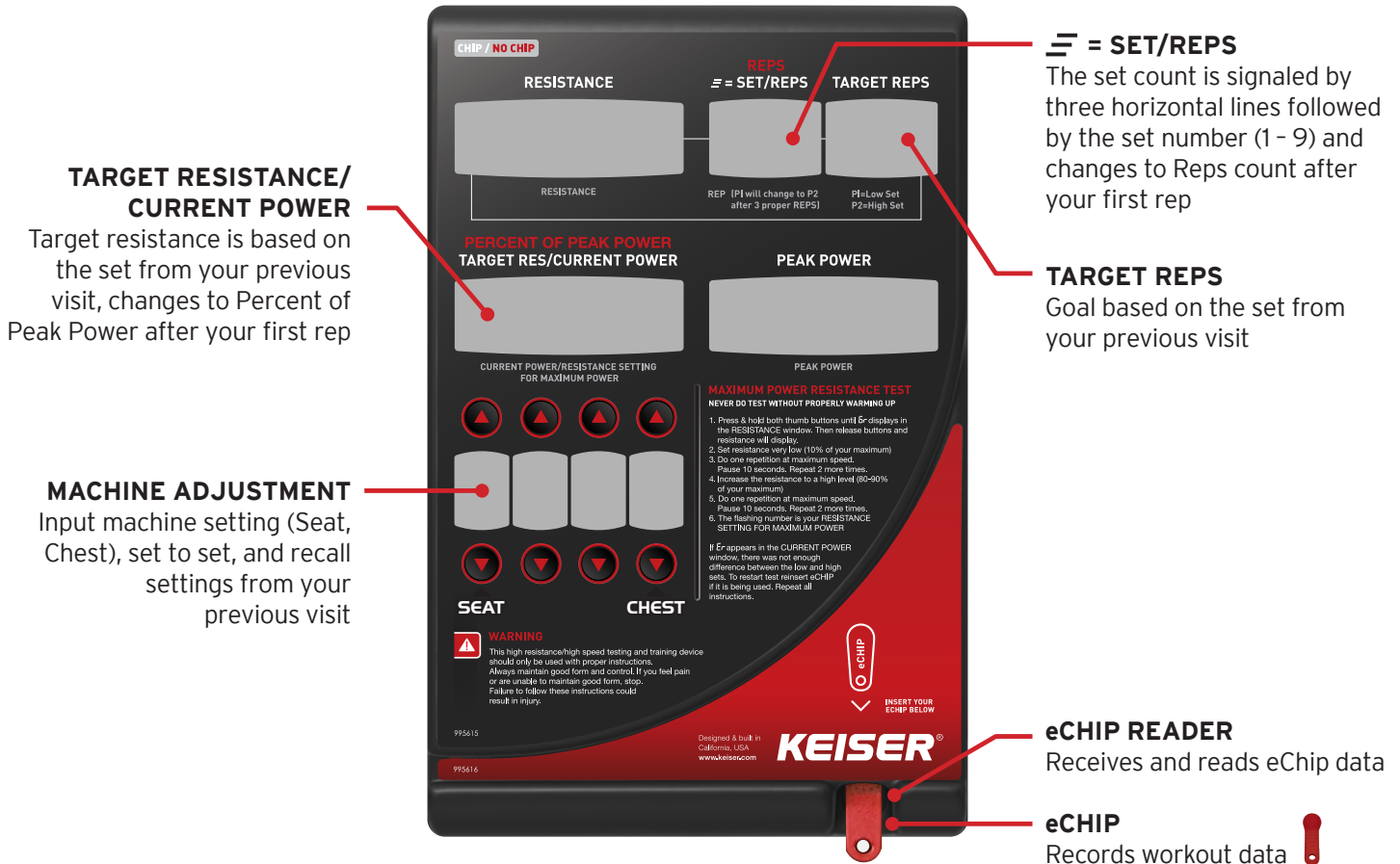


Figure 7. Power Display with eChip Overview

OPERATION

How to Record Workout Data on the eChip

1. Insert the eChip into the eChip Reader.
2. Prepare the machine for your workout:
 - Set the Resistance using the "+/-" Thumb Buttons.
 - Input Machine Adjustment setting using the buttons on the display.
3. Start your exercise:
 - Minimum 3 reps required to record a set.
 - Remove and re-insert the eChip to change Set number.

How to Recall Workout Data from the eChip

Insert eChip into the eChip Reader to recall workout data from the corresponding set of your previous visit:

- SET
- TARGET REPS
- TARGET RESISTANCE
- MACHINE ADJUSTMENT (when applicable)

System Notes

- eChip Storage: Up to 24 machine models, up to 240 separate workout sets. Set count range is 1-9, rep count range is 0-99 per machine per visit. A visit is defined as multiple workouts that occur within a four-hour period.
- No workout data ("----") indicates the eChip was not previously utilized on the machine.
- Machine Adjustment: No Machine Adjustment data indicates no data was input to record. Settings can only be changed immediately after the eChip is inserted and before your third rep. After three reps are performed, the setting cannot be changed until the eChip is removed and reinserted. Settings are not saved in Power Tests (Keiser 6-Rep test) mode.

* eChip not included. Contact Keiser Customer Support for order information.

PROPER OPERATION CHECK

Check equipment condition and function before every workout:

- A. **Thumb Buttons and Display** – press Thumb Buttons to check for proper “+ / -” operation and the Display powers on*.
- B. **Exercise Arms** – move freely; no loose parts in the linkage system.
- C. **Upholstery** – no excessive wear and are free of rips or tears.
- D. **Seat and Chest Pad Adjustment** – Seat functions and engages into setting positions properly (tilt up the front end of the Seat); Spring Pin engages properly into the post.
- E. **Stability** – equipment is level to a solid, flat surface.
- F. **Air Leaks** – no air leaks audible in the system.

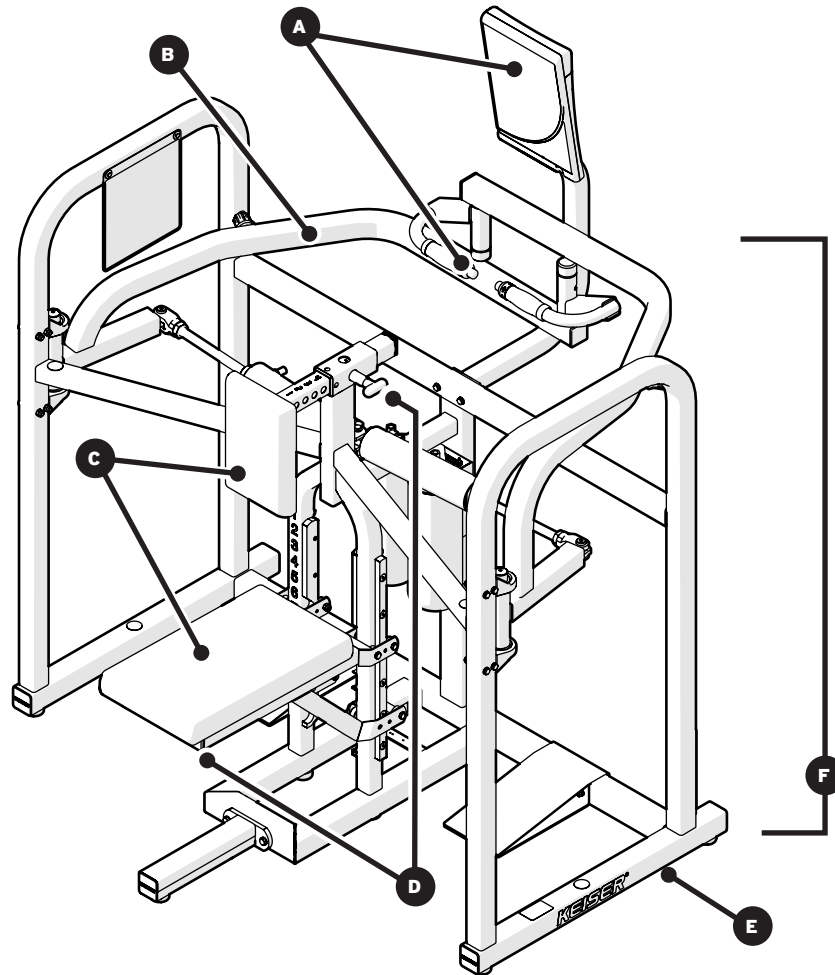


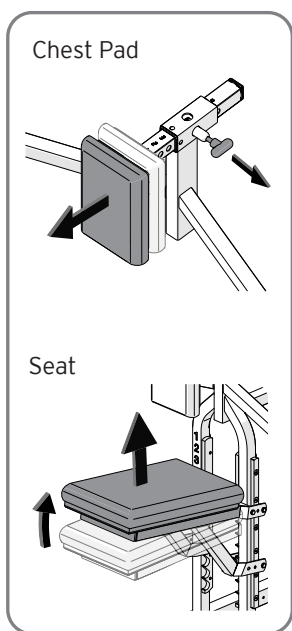
Figure 8. Proper Operation Check Illustration

Immediately replace damaged, worn, or broken parts. Do not use the Air350 Biaxial Upper Back until all repairs have been completed and tested by a Keiser-certified technician.

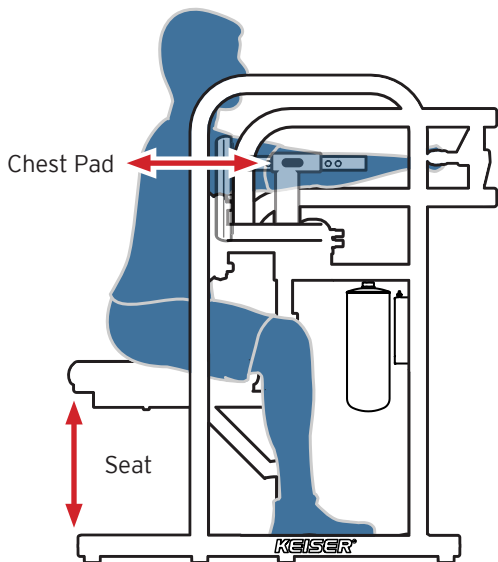
* “Lo-bA” = Batteries are low, replace immediately. If batteries are dead (depleted), the Power Display remains blank (see Battery Replacement procedure, page 17).

HOW TO USE THE AIR350 BIAXIAL UPPER BACK

- 1 Sit facing the machine with your feet on the Footrest; adjust the Seat height until the Handgrips (Thumb Buttons) are in line with the middle of your chest.
- 2 Adjust the Chest Pad until the Handgrips (Thumb Buttons) are at an extended reach.
- 3 Adjust the resistance with the Thumb Buttons.



ADJUST



EXERCISE

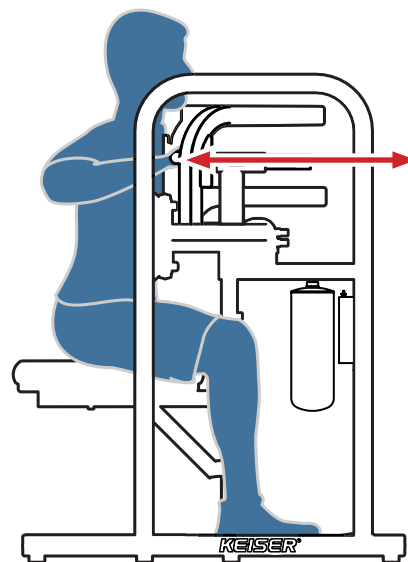


Figure 9. How to Use the Air350 Biaxial Upper Back

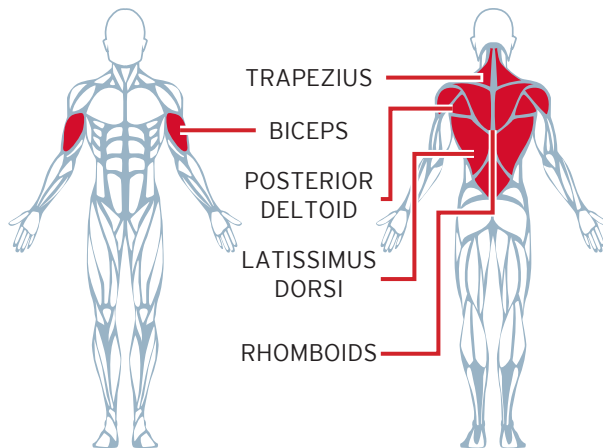


Figure 10. Biaxial Upper Back Target Muscles

HOW TO USE THE AIR350 BIAXIAL UPPER BACK (CONTINUED)**⚠ CAUTION**

- Consult your physician before beginning any exercise program.
- This equipment should only be used with proper instructions.
- Proper warm-up required to help prevent serious injury.
- Always maintain good form and control during exercise.
- If you feel pain, faintness, or are unable to maintain good form, stop immediately.
- Use caution when increasing/decreasing resistance during exercise.
- Never make adjustments to the machine during exercise. Failure to do so could result in serious injury.

CONCENTRIC PHASE (INWARD MOVEMENT)

- Hold the Handgrips symmetrically.
- Pull the elbows back fully and at the same time; move arms at the same level.
- Keep your body in an upright position and in contact with the Seat and Chest Pad during movement.

ECCENTRIC PHASE (OUTWARD MOVEMENT)

- Return the Exercise Arms to the start position in a smooth, controlled manner.
- Slower speed during outward movement is recommended.
- Maintain control of the load; keep the Exercise Arms off the stops throughout the exercise.

BREATHING

- Exhale during the concentric phase (inward movement).
- Inhale during the eccentric phase (outward movement).

TRAINING TIPS

- Ensure your feet are on the Footrest throughout the exercise.
- Maintain the natural curvature of your spine.
- Avoid rocking your body to create momentum when pulling heavy loads.
- To perform exercise one arm at a time, grip the other Handgrip with your resting arm for stability during movement.

POWER TEST

⚠ CAUTION: Test should only be performed with proper instruction. Never perform Power Test without proper warm-up.

The purpose of the Power Test (KEISER 6-Rep Test) is to determine your RESISTANCE SETTING FOR MAXIMUM POWER. Use your RESISTANCE SETTING FOR MAXIMUM POWER as a baseline measurement to program safe and effective training sessions. The test consists of two sets:



Three repetitions
Low resistance, high speed
10% of your maximum



Three repetitions
High resistance, high speed
80-90% of your maximum

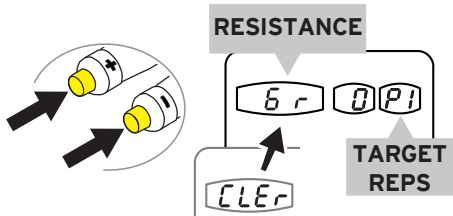
Speed is essential in power output. Perform all repetitions at maximum speed at the given resistance.

POWER TEST PROCEDURE

Before you begin: Warm-up and estimate your maximum resistance setting. During testing, you can adjust the resistance in either Set before rep "3" if needed (REPS resets to "0"). Note: Test may be performed with or without the eChip inserted.

1 START TEST

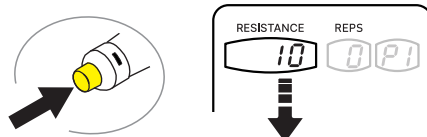
Press and hold both Thumb Buttons, release when "6 r" appears in the RESISTANCE window.



"P1" in the TARGET REPS window indicates Power Test, Set 1 initiated.

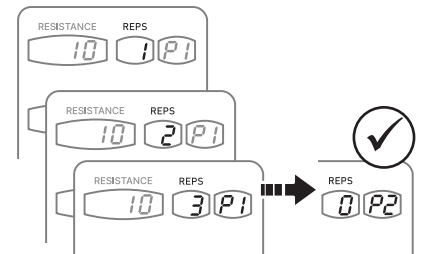
2 SET RESISTANCE, LOW LEVEL

Set the resistance to a low level (10% of your maximum).



3 POWER TEST, SET 1 ("P1")

Perform one repetition at maximum speed. Pause briefly, then perform two repetitions at maximum speed.



Note: Test advances to "P2" (Power Test, Set 2).

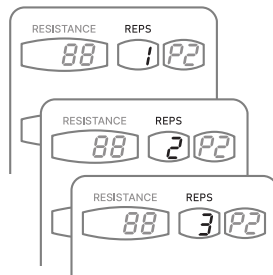
4 SET RESISTANCE, HIGH LEVEL

Increase the resistance to a high level (80-90% of your maximum).



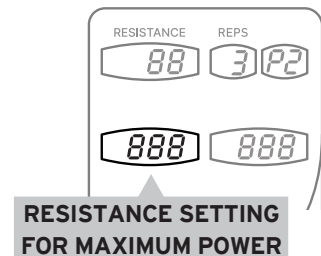
5 POWER TEST, SET 2 ("P2")

Perform one repetition at maximum speed. Pause briefly, then perform two repetitions at maximum speed.



6 TEST RESULT

After your last rep, your **RESISTANCE SETTING FOR MAXIMUM POWER** value is displayed.



TEST COMPLETE. Exit Power Test to resume normal operation.

How to exit the Power Test: Press and hold the Thumb Buttons simultaneously, release when "CLER" appears in the RESISTANCE window (eChip users: Remove the eChip).

Troubleshoot: "Er" 1 - 4 indicates not enough difference in resistance between the low and high sets. Try again with a greater difference in resistance between the low and high sets. To restart the Power Test at any time, begin at Step 1 (eChip users: Remove and reinsert the eChip before attempting to restart the test).

MAINTENANCE

⚠ CAUTION: SERVICE AND REPAIR SHALL ONLY BE PERFORMED BY KEISER-CERTIFIED TECHNICIANS. Failure to follow these instructions can result in serious injury.

PREVENTATIVE MAINTENANCE SCHEDULE

⚠ CAUTION: THE HIGHEST LEVEL OF EQUIPMENT SAFETY CAN ONLY BE ENSURED IF THE EQUIPMENT IS REGULARLY INSPECTED FOR DAMAGE AND WEAR. Immediately replace damaged, worn, or broken parts. Do not use the Air350 Biaxial Upper Back until all repairs have been completed and tested by a Keiser-certified technician.

Daily	<ul style="list-style-type: none"> • Check for safe and proper function of the equipment (perform “Proper Operation Check,” page 12). • Clean the chrome and paint where applicable. • Wipe down the equipment with a clean cloth. If necessary, use water and mild soap (neutral, non-caustic). Target areas that come in contact with sweat. Wipe dry the equipment.
Weekly	<ul style="list-style-type: none"> • Check parts most susceptible to wear are not damaged or broken: <ul style="list-style-type: none"> - Upholstery, Linkage System, Thumb Buttons, and Hand Grips. • Wax chrome and paint where applicable; wax upholstery. • Clean Hand Grips. • Inspect Air Line Filter.
Monthly	<ul style="list-style-type: none"> • Check externally visible screws are fastened properly with no looseness. • Clean and lubricate the Cylinder Rods. • Inspect Air Line for kinks, tears, or breaks. • Inspect Frame for any weakening in weld areas, and other connected areas.
Quarterly	<ul style="list-style-type: none"> • Lubricate Pivot Bushings. • Inspect Exhaust Mufflers and Air Filter for discoloration; replace if necessary. • Verify compressor(s) cycle on/off between 100-120 psi (6.89-8.27 bar).
Annually and other Required Maintenance	<ul style="list-style-type: none"> • For complete instructions, see page 18 “Annual Maintenance.” • Battery Replacement. The low battery signal (“Lo-bA”) will appear on the Power Display when it is time to replace the batteries. Refer to page 17 “Battery Replacement” for complete instructions. <p>NOTE: Your Keiser Air Compressor (not included with your Air350 Biaxial Upper Back) requires basic annual maintenance. Contact Keiser Customer Support for Air Compressor operator manual or download at keiser.com/support (search: Air Compressor manuals).</p>

⚠ IMPORTANT: Do not use household or industrial cleaners as they contain caustic chemicals that can destroy the paint finish and cause corrosion. Use only mild soap/detergent (neutral, non-caustic) to clean.

Contact Keiser Customer Support for replacement parts order, or for any matters regarding the safe operation of your Air350 Biaxial Upper Back (see back cover for contact information).

BATTERY REPLACEMENT

Do not operate the equipment during battery replacement procedure. "Lo-bA" = Batteries are low, replace immediately. NOTE: If batteries are dead (depleted), the Power Display remains blank. To replace the batteries, refer to Figure 11 and follow the instructions below (no tools required).

1. Unscrew the Brass Nut on the Processor Box. Pull and remove the cover.
2. Remove the 2 D batteries by carefully pulling out the Battery Sleeve (follow manufacturer's recommendations for handling, maintaining, and disposing of batteries).
3. Observe the correct polarity position (see +/- marking inside the battery compartment), insert the 2 new D batteries into the battery sleeve and install.
 - The Power Display will enter a brief test sequence (you will see a series of numbers flashing).
4. Replace the Processor Box cover and screw the Brass Nut finger tight.

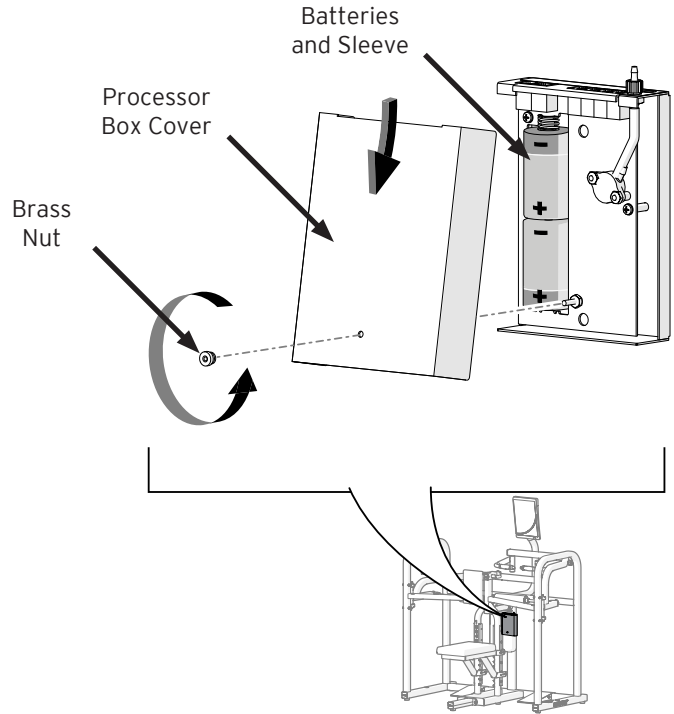


Figure 11. Battery Replacement

⚠ CAUTION

Do not dispose of batteries in a fire. The batteries may explode.

Do not open or mutilate batteries. They contain an electrolyte which is toxic and harmful to the skin and eyes.

Replace batteries with the same number and type of batteries as originally installed in the equipment.

Recycle batteries in accordance with local recycling procedures.

ANNUAL MAINTENANCE

The following routine maintenance is recommended annually or at the time batteries are replaced:

- 1 Clean:
 - Wipe any accumulated dust around the Frame and the Linkage System, including the Air Tanks and Cylinders, using a clean shop cloth.
- 2 Visual inspection of the Linkage System:
 - Move freely and no loose parts; all externally visible nuts and bolts are tightened properly.
- 3 Visual inspection of Air Lines and Communication Wires:
 - Air Lines have no kinks, tears, or breaks; Communication Wires have no exposed wires or visible damage.
- 4 Replace the Mufflers if discoloration is present:
 - Tool required: 11/16 inch Wrench or Adjustable Wrench.
- 5 Replace the Air Filter if element is dirty (element turns a bright pink or red color):
 - Tools required: Small Needle Nose Pliers, Cutter Tool (to cut off flared end of tubes).
- 6 Lubricate Cylinder Rods:
 - Wipe the Cylinder Rods clean and coat lightly with clean, SAE 30 motor oil, or with a silicon-based spray.
- 7 Visual inspection of moving components:
 - Seat and Chest Pad function properly and the adjustment mechanisms engage properly. Check Exercise Arms are fully functional; all externally visible nuts and bolts are tightened properly.

⚠ WARNING: HIGH-PRESSURE AIR. DISCONNECT THE EQUIPMENT FROM THE AIR SUPPLY AND RELEASE ALL THE AIR IN THE EQUIPMENT ("—" THUMB BUTTON) BEFORE PERFORMING ROUTINE MAINTENANCE.

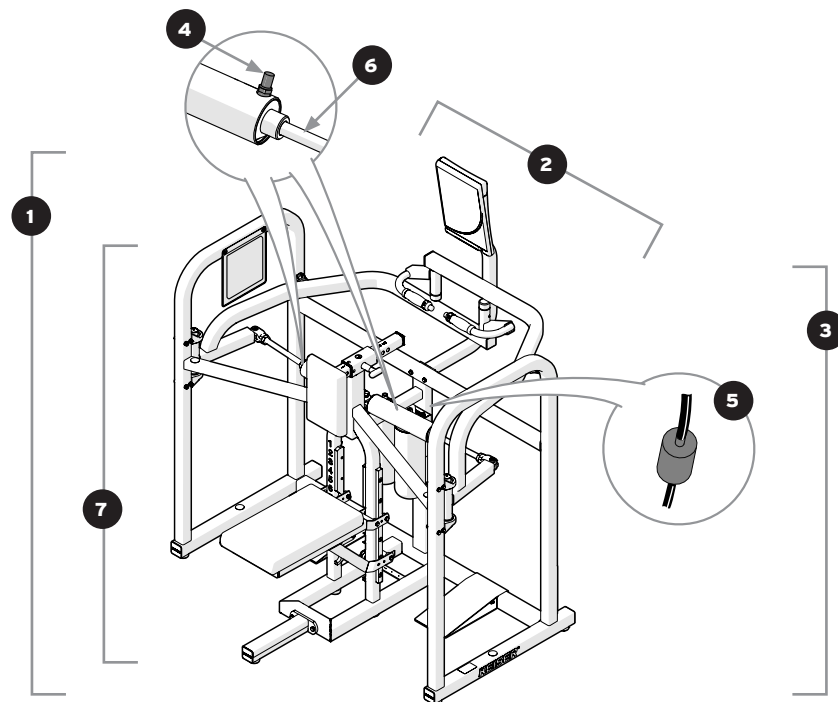
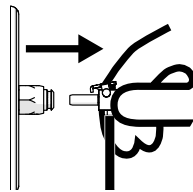






Figure 12. Annual Routine Maintenance Illustration

Contact Keiser Customer Support for replacement part(s) order, or for any matters regarding the safe operation of your Air350 Biaxial Upper Back (see back cover for contact information).



REGULATORY AND COMPLIANCE NOTICES

Standards	ISO/EN 20957-1 Accuracy Class A (High accuracy) and Usage Class S (Studio, commercial use); IEC/EN 60601-1 and IEC/EN 60601-1-2.
Marks	   

SAFETY NOTIFICATIONS

Displayed watts testing parameters: “Current Power,” “Peak Power,” and “Percent of Peak Power” are not suitable for use in applications where the health and safety of a patient may be dependent on the accuracy of those parameters.

Clinical Settings Note: In clinical settings, patients may operate this equipment in accordance with this user manual and the instructions and guidance provided by the healthcare personnel responsible for supervising their treatment and care. However, patients shall not perform preventive maintenance, repairs or replace batteries on equipment installed in clinical facilities.

TYPE/DEGREE OF PROTECTION	CLASSIFICATION/IDENTIFICATION/WARNINGS	SYMBOL
The degree of protection against electric shock	Device is powered by two D cell alkaline batteries. Electrical safety evaluation conducted by TÜV SÜD per IEC/EN 60601-1 requirement.	
The degree of protection against the ingress of liquids	Not protected	N/A
The degree of safety in the presence of a flammable anesthetic mixture with air or with oxygen or nitrous oxide	Not suitable	N/A
The mode of operation	Continuous	N/A
Information regarding potential electromagnetic or other interference and advice regarding avoidance	The Air350 Biaxial Upper Back uses electromagnetic and RF energy only for its internal function. Therefore, its EMC and RF emissions are very low and are not likely to cause any interference in nearby electronic equipment.	N/A
EMC Notices, Statement of Compliance	See Electromagnetic Compatibility (EMC) section, page 20.	N/A
ID of specified optional external power supplies or battery chargers	The Air350 Biaxial Upper Back does not require an external power supply.	N/A
ID of any risks associated with the disposal of waste products, residues, including disposal of the equipment itself at the end of its useful life	The Air350 Biaxial Upper Back contains electronic circuit assemblies, 2 alkaline D cell batteries, and a sealed lithium coin cell battery that may require compliance with specific local disposal or recycling procedures.	
The specification of the environmental conditions of transport and storage	Use indoor in climate-controlled environment only. Keep away from areas of extreme humidity. NOTICE: Equipment not tested at extreme high/low temperatures.	N/A

ELECTROMAGNETIC COMPATIBILITY (EMC)

EMC Notices – Statement of Compliance

This product has been determined to be compliant with the applicable standards, regulations, and directives for the countries where the product is marketed.

Compliance documentation, such as Declaration of Compliance for the product, are available upon request by contacting service@keiser.com. Please include the product, model number identifiers, and serial number and country that compliance information is needed for in request.

Korea

이 기기는 가정용(B급)으로 전자파적합등록을 한 기기로서 주로 가정에서 사용하는 것을 목적으로 하며, 모든 지역에서 사용할 수 있습니다.

“This equipment is for home use and has acquired electromagnetic conformity registration, so it can be used not only in residential areas but also other areas.”


US FCC COMPLIANCE STATEMENT

NOTE: This equipment has been tested and found to comply with the limits for a Class B digital device, pursuant to part 15 of the FCC Rules. These limits are designed to provide reasonable protection against harmful interference in a residential installation. This equipment generates, uses and can radiate radio frequency energy and, if not installed and used in accordance with the instructions, may cause harmful interference to radio communications. However, there is no guarantee that interference will not occur in a particular installation. If this equipment does cause harmful interference to radio or television reception, which can be determined by turning the equipment off and on, the user is encouraged to try to correct the interference by one or more of the following measures:

- Reorient or relocate the receiving antenna.
- Increase the separation between the equipment and receiver.
- Connect the equipment into an outlet on a circuit different from that to which the receiver is connected.
- Consult the dealer or an experienced radio/TV technician for help.

DISPOSAL

DISPOSAL

 This equipment contains electrical or electronic components, alkaline batteries, and a sealed lithium coin cell battery that must be disposed of properly to comply with the EU Directive on disposal of waste electrical and electronic equipment (EU WEEE Directive 2002/96/EC).

Contact an appropriate waste disposal company upon the equipment's end of service life. Disposal must be in accordance with respective national regulation.

Wear parts: After being replaced, wear parts must be disposed of according to country-specific waste laws.

If you have any questions about equipment disposal, please contact your local dealer or Keiser Customer Support (see back cover for contact information).

This page intentionally left blank.

This page intentionally left blank.

WARRANTY STATEMENT

View or print your Air350 Biaxial Upper Back warranty online at keiser.com/support/warranty.

If you have any questions about your warranty, please contact Keiser Customer Support at 1 559 256 8000 and via live chat at keiser.com/support (Monday–Friday, 7 am to 5:30 pm PST), or by email at service@keiser.com.

Customers outside the United States may obtain warranty information directly through a Keiser international distributor or dealer in the country of installation, or direct from Keiser’s international division.

European Authorized Representative

KEISER EUROPE SP. Z O.O.

ul. Starodworska 1

Gdańsk 80-137

Polska

UK Responsible Person (UKRP)

KEISER UK Ltd.

Unit 3, Hampton Industrial Estate


Hampton St., Tetbury

Gloucestershire, GL8 8LD

United Kingdom

CUSTOMER SUPPORT

If you have any questions regarding the operation of the Air350 Biaxial Upper Back after reading this manual, contact Keiser Customer Support:

 1 559 256 8000

 service@keiser.com

 [keiser.com/support](https://www.keiser.com/support)

Telephone and Live Chat
Monday–Friday 7 am to 5:30 pm PST

Manufactured in the USA
KEISER CORPORATION
 2470 S. Cherry Ave.
Fresno, CA 93706