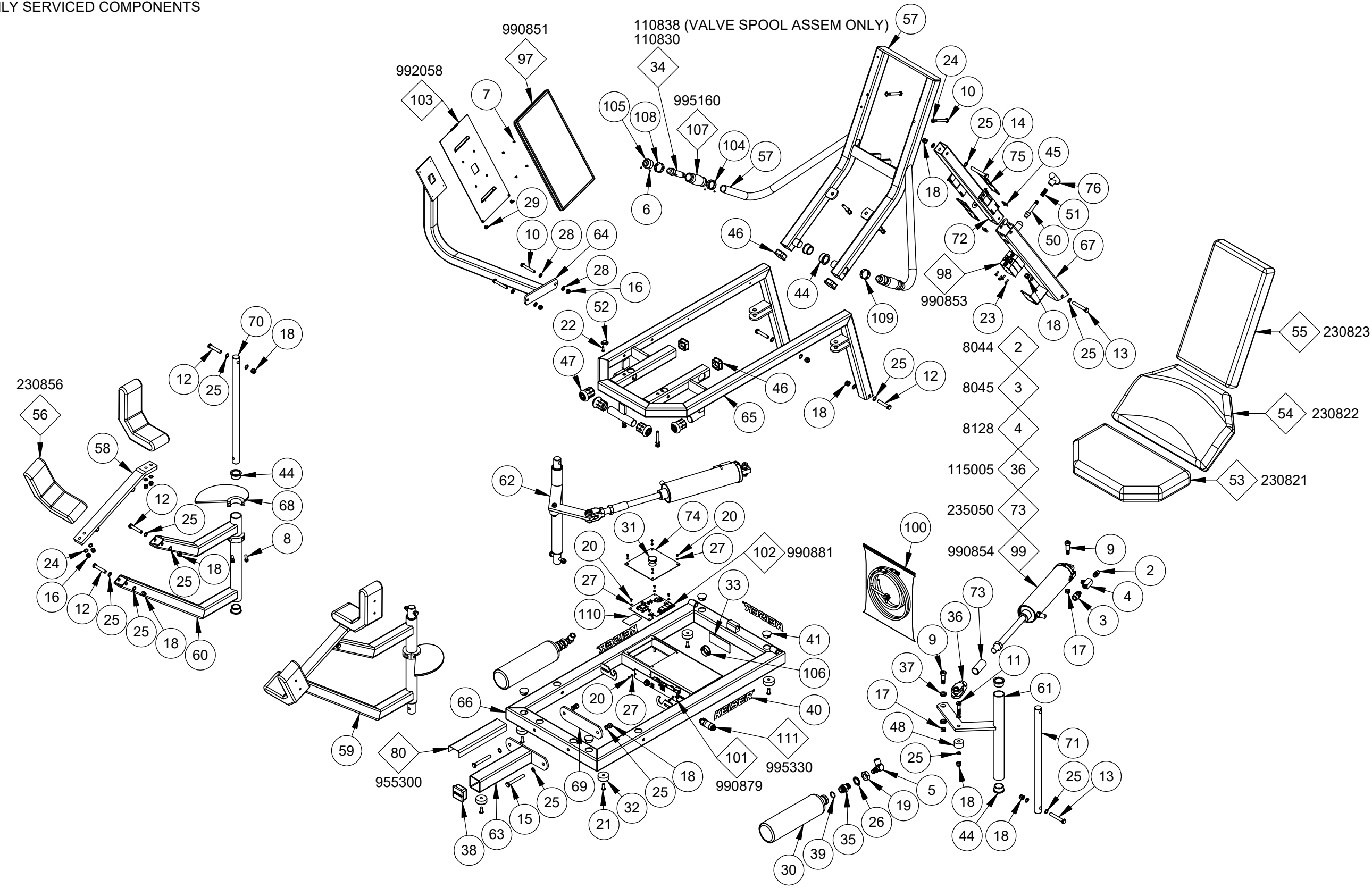


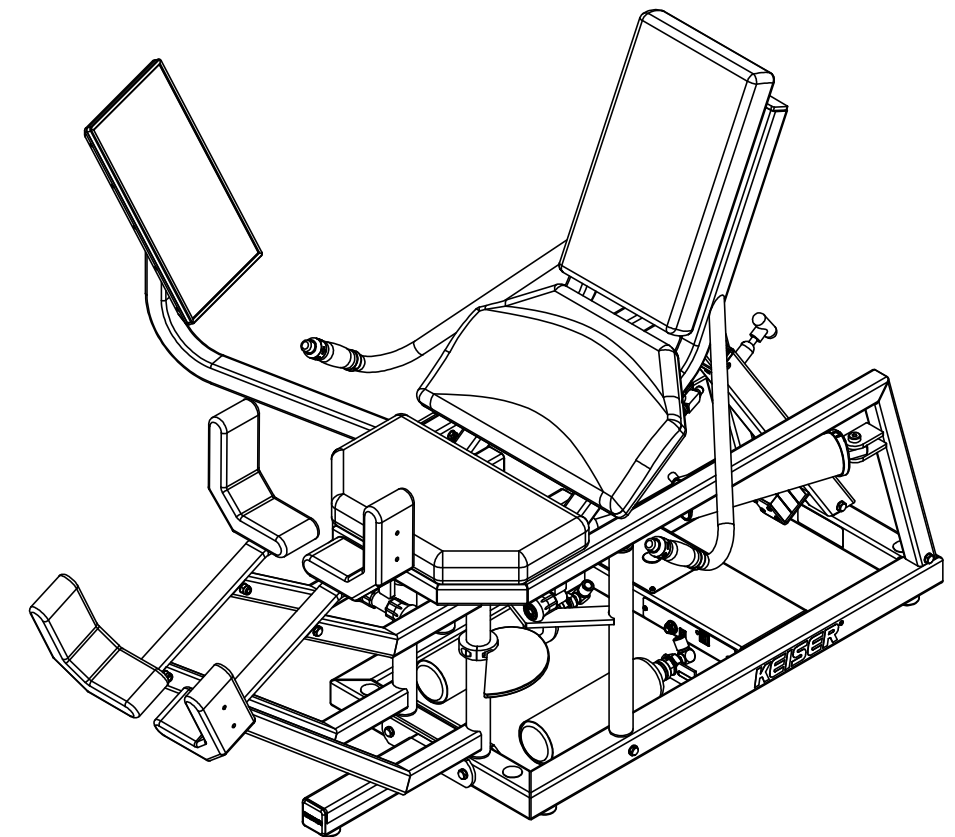
COMMONLY SERVICED COMPONENTS



NOTE:
THIS DRAWING COVERS: 2331B4 AND 2331X4

<p>KEISER 2470 South Cherry Ave. Fresno, CA USA 93705-5004 Phone: (559) 256-8000 Fax: (559) 256-8100 THE INFORMATION DISCLOSED HEREIN WAS ORIGINATED BY AND IS THE PROPERTY OF KEISER CORP. AND ALL PATENT, PROPRIETARY DESIGN, USE, SALE, MANUFACTURING, AND REPRODUCTION RIGHTS THERE TO ARE RESERVED BY KEISER CORP.</p>		ECO BY: JPR	ECO ENGINEER: LC	ECO CHECK BY: LC	ECO DATE: 4/16/26	ECO: 4532
<p>REV: A REFERENCE WINMAGI BOM REV F</p>		<p>PROJECT ENGINEER: CHIEF ENGINEER</p>		<p>DRAWN BY: JPR</p>		<p>ORIGINATION DATE: 4/16/26</p>
		<p>MATERIAL:</p>				<p>MATERIAL #:</p>
		<p>TITLE: A400 HIP ABDUCTOR</p>				<p>PART #: 2331X4-SA</p>
						<p>REV: A</p>

ITEM NO.	QTY.	PART NO.	TITLE	ITEM NO.	QTY.	PART NO.	TITLE
1	3	8043	CON - 3/16 BARB X 1/8 BARB	64	1	230912	DISPLAY MT - A400
2	2	8044	CON - 8MM PTC X 1/4M NPT	65	1	230913	FRAME - CENTER-A400
3	2	8045	CON - 12MM PTC X 1/4M NPT	66	1	230914	FRAME - BOTTOM-A400
4	2	8128	TEE - 1/4F X 1/4F X 1/4M NPT	67	1	230915	TOP ADJUST TUBE - A400
5	2	8159	ELBOW - 12MM PTC X 1/4M NPT	68	2	230917	CAM
6	8	9014	SCREW - HSSS 8-32 X 1/8 SS	69	1	231859	PLATE - BASE EXTENSION
7	4	9087	SCREW - CRFCHMS 6-32 X 1/4 SS	70	2	232243	PIVOT SHAFT - ARM PIVOT
8	4	9105	SCREW - SHCS 5/16-24 X 7/8	71	2	232245	SHAFT - CONTROL BOX
9	4	9127	SCREW - SHSS 1/2 X 1 ZP	72	1	234163	TUBE - SEAT BACK ADJ
10	8	9179	SCREW - HHCS 5/16-18 X 2-1/4 ZP	73	2	235050	CYLINDER - STOP
11	2	9204	SCREW - HHCS 3/8-16 X 1-3/4 ZP	74	1	252050	PLATE - COVER-PROCESSOR-A400
12	8	9205	SCREW - HHCS 3/8-16 X 2 ZP	75	4	505068	BUSHING - 4 PIECE
13	3	9207	SCREW - HHCS 3/8-16 X 2-1/2 ZP	76	1	555059	KNOB - T-BLACK
14	1	9208	SCREW - HHCS 3/8-16 X 2-3/4 ZP	77	1	953098	TUBING - 8MM URETHANE-BLK
15	2	9209	SCREW - HHCS 3/8-16 X 3 ZP	78	1	953099	TUBING - 12MM URETHANE-BLK
16	10	9226	NUT - HELN 5/16-18 ZP	79	1	953108	TUBING - 1/4 URETHANE BLK
17	4	9227	NUT - HRLN 3/8-16 ZP	80	1	955300	STRIP - PROTECTOR-4 INCH
18	16	9228	NUT - HELN 3/8-16 ZP	81	1	955309	SLEEVING - WRAP-AROUND-1/2 ID-BLK
19	2	9231	NUT - HJN 3/4-10 ZP	82	1	955310	SLEEVING - WRAP-AROUND-3/4 ID-BLK
20	10	9255	SCREW - CRPHMS 6-32 X 1/4 ZP	83	2	962004	CON - 2MM-2-S
21	5	9279	SCREW - SBHTS-TF 5/16-18 X 3/4 ZP	84	2	962005	CON - MOD-P-4P-4C
22	1	9285	SCREW - CRPHTS 10-24 X 3/4 ZP	85	4	962006	CON - MOD-P-6P-4C
23	4	9308	SCREW - CRPHMS 8-32 X 1/2 ZP	86	2	962055	CON - 2MM-8-S
24	14	9353	WASHER - THIN-ACFT 0313 SS	87	1	962070	CON - 2.5MM-6-S
25	32	9355	WASHER - FW-ACFT-3/8 SS	88	2	962071	CON - S-20-24 AWG-CRIMP-TIN
26	2	9364	WASHER - ITLW 3/4 ZP	89	1	962072	CON - 3MM-2-S
27	10	9366	WASHER - ITLW #6 ZP	90	2	962073	CON - S-20-24 AWG-CRIMP-MOLEX
28	4	9389	WASHER - ITLW 5/16 ZP	91	2	962074	CON - MOD-P-8P-8C
29	2	9506	SCREW - SBHCS M6X1 X 10 ZP	92	1	964506	FILTER - FERRITE-310 OHM
30	2	100903	TANK - 68 IN3	93	1	966701	WIRE - CABLE-4-26 GA
31	1	105058	PLUG - DIA 1-CLEAR	94	1	966712	WIRE - CABLE-2-22 GA
32	5	105423	BUMPER - MOLDED GLIDE	95	1	966717	WIRE - CABLE-8-24 GA
33	1	105443	DECAL - SN-STRENGTH-CE	96	1	966746	WIRE - CABLE-4 CIRCUIT-MICROFIT-0.5M
34	2	110830	ASSY - TB VALVE-DIG	97	1	990851	DISPLAY MODULE - A400
35	2	115000	BUSHING - TANK	98	1	990853	VALVE BLOCK - A400
36	2	115005	CLEVIS - CYLINDER-2500	99	2	990854	CYL - XDCR-2500 X 7000
37	4	115051	BEARING - FLANGE-0.500 ID	100	1	990862	KIT - INSTALLATION-A400
38	1	115054	PLUG - 2 IN SQ-KEISER	101	1	990879	MODULE - POWER ENTRY-MDR
39	2	115333	O-RING - .943 X .737 X .103	102	1	990881	CKT BRD - PROCESSOR-A400-W SOFTWARE
40	3	115372	DECAL - KEISER LOGO-1 1/4" RED	103	1	992058	PLATE - DISPLAY BACK-A400
41	4	115404	PLUG - HOLE-1 DIA	104	2	995000	COLLAR - GRIP
42	9	115423	TIE - 8 IN-PL BLK	105	2	995001	CAP - GRIP W HOLE
43	1	115429	PLASTIC TIE - 10" RED	106	1	995083	BUSHING - SNAP-1-3/8
44	10	135050	BEARING - FLANGE-1" ID	107	2	995160	GRIP - MOLDED
45	4	135055	STEM BUMPER	108	1	995300	DECAL - TB-PLUS
46	4	135056	CAP - 1.500 SQ-PL	109	1	995301	DECAL - TB-MINUS
47	4	135422	RUBBER CRUTCH TIP #20 BLK	110	1	995324	DECAL - MADE IN THE USA
48	2	145420	CAM - FOLLOWER	111	1	995330	FILTER - IN LINE-8MM PTC
49	1	170891	ASSY - MUFFLER-LONG	112	1	995418	BAG - 4 X 6 X 4MIL-ZIP LOCK
50	1	172180	PLUNGER				
51	1	175500	SPRING - PLUNGER				
52	1	215421	CLAMP - CABLE-0375				
53	1	230821	CUSHION - SEAT-A400				
54	1	230822	CUSHION - LUMBAR-A400				
55	1	230823	CUSHION - BACK-A400				
56	4	230856	LEG CUSHION				
57	1	230903	BACK FRAME				
58	2	230905	LEG SUPPORT				
59	1	230906	L EX ARM				
60	1	230907	R EX ARM				
61	1	230909	L LEVER ARM				
62	1	230910	R LEVER ARM				
63	1	230911	EXT BOT FRM				



<p>KEISER 2470 South Cherry Ave. Phone: (559) 256-8000 Fresno, CA USA 93705-5004 Fax: (559) 256-8100 THE INFORMATION DISCLOSED HEREIN WAS ORIGINATED BY AND IS THE PROPERTY OF KEISER CORP. AND ALL PATENT, PROPRIETARY DESIGN, USE, SALE, MANUFACTURING, AND REPRODUCTION RIGHTS THERE TO ARE RESERVED BY KEISER CORP.</p>		ECO BY: JPR	ECO ENGINEER: LC	ECO CHECK BY: LC	ECO DATE: 4/16/26	ECO: 4532
<p>DIMENSIONS ARE IN INCHES DIMENSIONS IN [] ARE MILLIMETERS BREAK SHARP EDGES .005-.015 [.10-.40] MACHINED SURFACE FINISH IS 63 MICROINCHES [1.6 MICROMETERS]</p>		PROJECT ENGINEER: CHIEF ENGINEER	DRAWN BY: JPR	ORIGINATION DATE: 4/16/26		MATERIAL #:
<p>REV: A REFERENCE WINMAGI BOM REV F</p>		TITLE: A400 HIP ABDUCTOR			PART #: 2331X4-SA	REV: A

SHEET: 2 OF 2 SIZE: B SCALE: 1:8 (DO NOT SCALE DRAWING) LAST SAVED: 4/16/2026