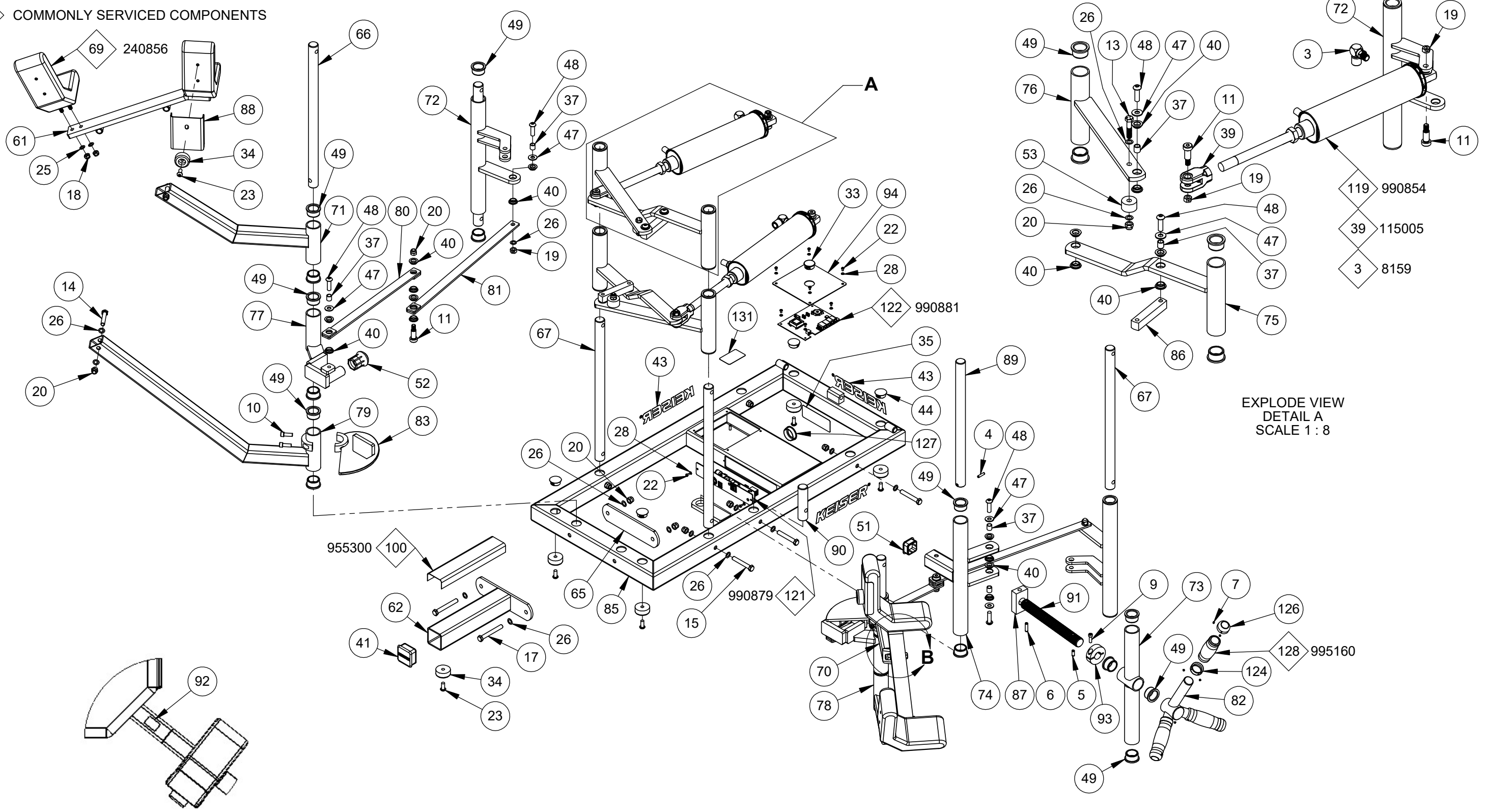


COMMONLY SERVICED COMPONENTS



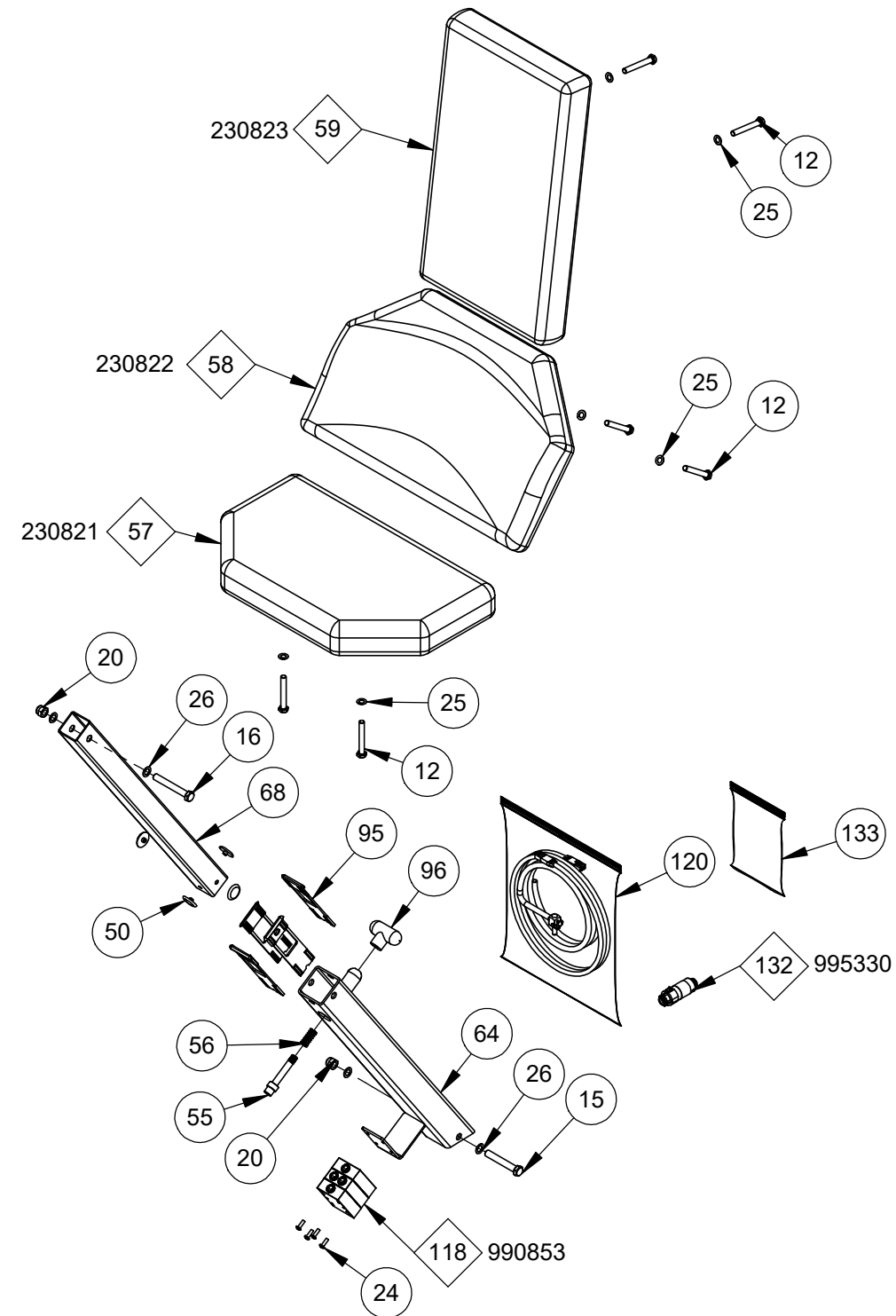
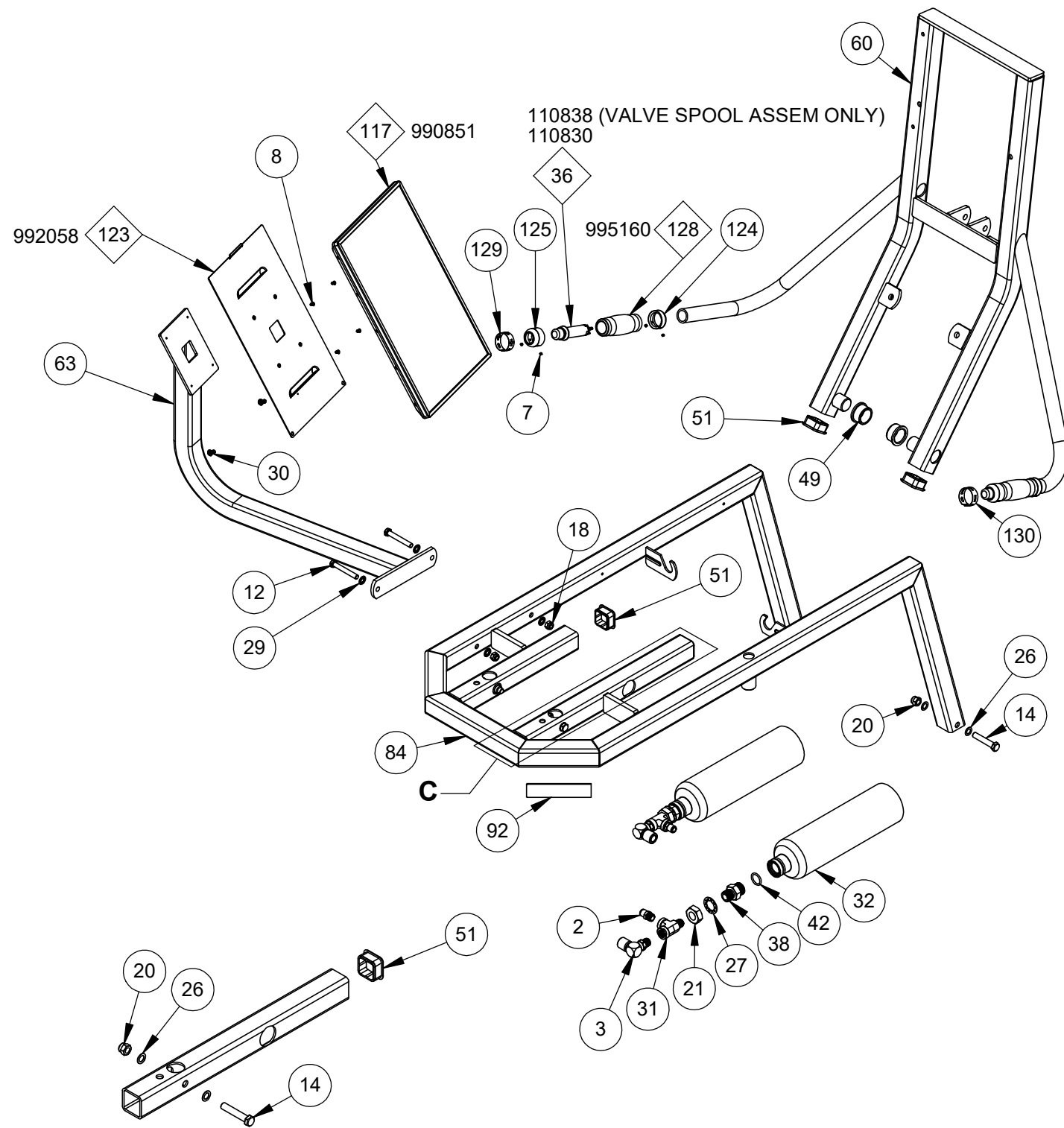
EXPLODE VIEW
DETAIL A
SCALE 1 : 8

TOP VIEW
DETAIL B
SCALE 1 : 8

NOTE:

THIS DRAWING COVERS: 2431B4 AND 2431X4

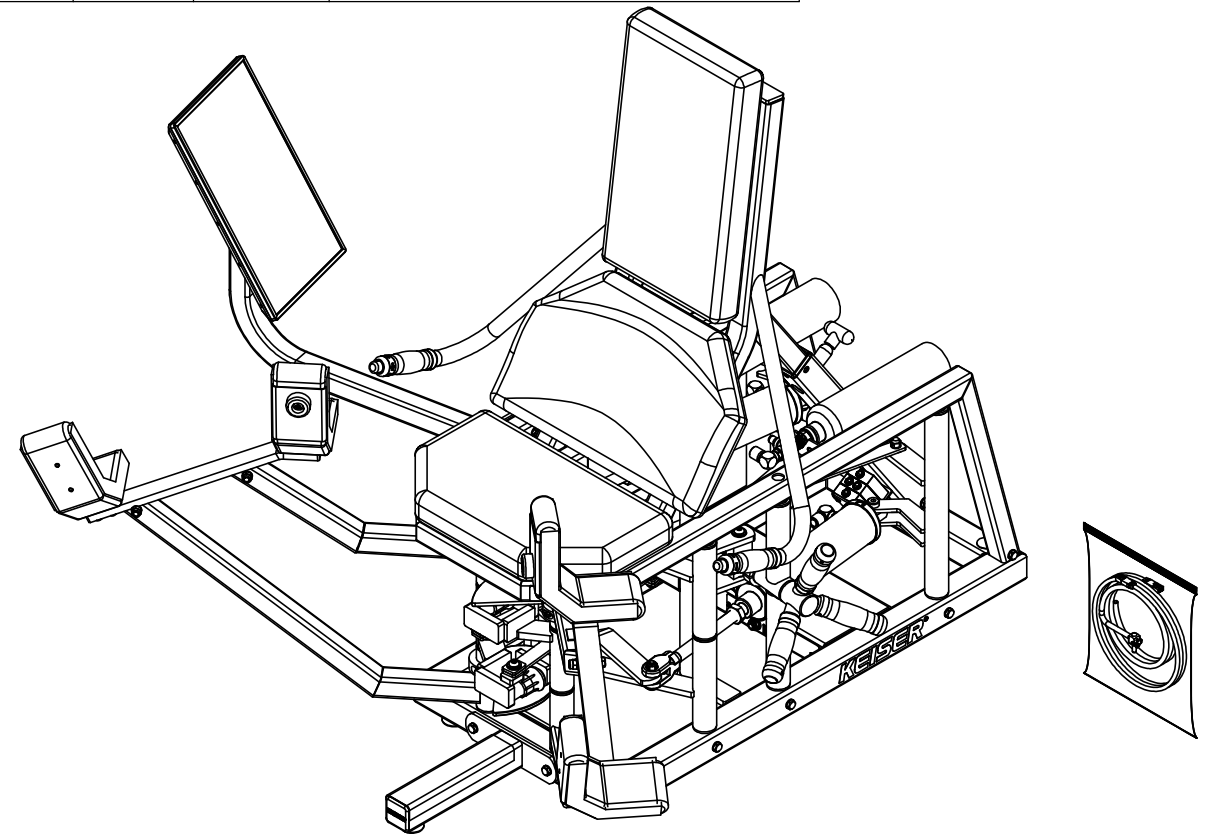
		KEISER <small>2470 South Cherry Ave. Phone: (559) 256-8000 Fresno, CA USA 93705-5004 Fax: (559) 256-8100</small>		ECO BY: LMG	ECO ENGINEER: LC	ECO CHECK BY: LC	ECO DATE: 4/16/26	ECO: 4532
		<small>THE INFORMATION DISCLOSED HEREIN WAS ORIGINATED BY AND IS THE PROPERTY OF KEISER CORP. AND ALL PATENT, PROPRIETARY DESIGN, USE, SALE, MANUFACTURING, AND REPRODUCTION RIGHTS THERE TO ARE RESERVED BY KEISER CORP.</small>		PROJECT ENGINEER: CHIEF ENGINEER		DRAWN BY: LMG		ORIGINATION DATE: 4/16/26
				MATERIAL:				MATERIAL #:
REV: A	REFERENCE WM BOM REV E	<small>DIMENSIONS ARE IN INCHES DIMENSIONS IN [] ARE MILLIMETERS BREAK SHARP EDGES .005-.015 [.10-.40] MACHINED SURFACE FINISH IS 63 MICRONS [1.6 MICROMETERS]</small>		TITLE: A400 HIP ADDUCTOR - SA			PART #: 2431X4-SA	REV: A



EXPLODE VIEW
DETAIL C
SCALE 1 : 8

		KEISER 2470 South Cherry Ave. Fresno, CA, USA 93705-5004 Phone: (559) 256-8000 Fax: (559) 256-8100 THE INFORMATION DISCLOSED HEREIN WAS ORIGINATED BY AND IS THE PROPERTY OF KEISER CORP. AND ALL PATENT, PROPRIETARY DESIGN, USE, SALE, MANUFACTURING, AND REPRODUCTION RIGHTS THERE TO ARE RESERVED BY KEISER CORP.		ECO BY: LMG	ECO ENGINEER: LC	ECO CHECK BY: LC	ECO DATE: 4/16/26	ECO: 4532
				PROJECT ENGINEER: CHIEF ENGINEER	DRAWN BY: LMG		ORIGINATION DATE: 4/16/26	
				MATERIAL:			MATERIAL #:	
REV: A	REFERENCE WM BOM REV E	DIMENSIONS ARE IN INCHES DIMENSIONS IN [] ARE MILLIMETERS BREAK SHARP EDGES .005-.015 [.10-.40] MACHINED SURFACE FINISH IS 63 MICROINCHES [1.6 MICROMETERS]		TITLE: A400 HIP ADDUCTOR - SA			PART #: 2431X4-SA	REV: A

ITEM NO.	QTY.	PART NO.	TITLE	ITEM NO.	QTY.	PART NO.	TITLE	ITEM NO.	QTY.	PART NO.	TITLE
1	3	8043	CON - 3/16 BARB X 1/8 BARB	53	2	145420	CAM - FOLLOWER	105	4	962006	CON - MOD-P-6P-4C
2	2	8044	CON - 8MM PTC X 1/4M NPT	54	1	170891	ASSY - MUFFLER-LONG	106	2	962055	CON - 2MM-8-S
3	4	8159	ELBOW - 12MM PTC X 1/4M NPT	55	1	172180	PLUNGER	107	1	962070	CON - 2.5MM-6-S
4	1	9002	PIN SPRING - 3/16 X 7/8	56	1	175500	SPRING - PLUNGER	108	2	962071	CON - S-20-24 AWG-CRIMP-TIN
5	1	9004	PIN - SPRING 1/4 X 5/8 ZP	57	1	230821	CUSHION - SEAT-A400	109	1	962072	CON - 3MM-2-S
6	1	9005	PIN - SPRING 1/4 X 1 ZP	58	1	230822	CUSHION - LUMBAR-A400	110	2	962073	CON - S-20-24 AWG-CRIMP-MOLEX
7	20	9014	SCREW - HSSS 8-32 X 1/8 SS	59	1	230823	CUSHION - BACK-A400	111	2	962074	CON - MOD-P-8P-8C
8	4	9087	SCREW - CRFCHMS 6-32 X 1/4 SS	60	1	230903	BACK FRAME	112	1	964506	FILTER - FERRITE-310 OHM
9	1	9095	SCREW - SHCS 0250-28 X 0750 ZP	61	2	230905	LEG SUPPORT	113	1	966701	WIRE - CABLE-4-26 GA
10	4	9105	SCREW - SHCS 5/16-24 X 7/8	62	1	230911	EXT BOT FRM	114	1	966712	WIRE - CABLE-2-22 GA
11	6	9127	SCREW - SHSS 1/2 X 1 ZP	63	1	230912	DISPLAY MT - A400	115	1	966717	WIRE - CABLE-8-24 GA
12	8	9179	SCREW - HHCS 5/16-18 X 2-1/4 ZP	64	1	230915	TOP ADJUST TUBE - A400	116	1	966746	WIRE - CABLE-4 CIRCUIT-MICROFIT-0.5M
13	2	9204	SCREW - HHCS 3/8-16 X 1-3/4 ZP	65	1	231859	PLATE - BASE EXTENSION	117	1	990851	DISPLAY MODULE - A400
14	8	9205	SCREW - HHCS 3/8-16 X 2 ZP	66	2	232243	PIVOT SHAFT - ARM PIVOT	118	1	990853	VALVE BLOCK - A400
15	6	9207	SCREW - HHCS 3/8-16 X 2-1/2 ZP	67	4	232245	SHAFT - CONTROL BOX	119	2	990854	CYL - XDCR-2500 X 7000
16	1	9208	SCREW - HHCS 3/8-16 X 2-3/4 ZP	68	1	234163	TUBE - SEAT	120	1	990862	KIT - INSTALLATION-A400
17	2	9209	SCREW - HHCS 3/8-16 X 3 ZP	69	4	240856	LEG CUSHION	121	1	990879	MODULE - POWER ENTRY-MDR
18	10	9226	NUT - HELN 5/16-18 ZP	70	1	240904	U L EX ARM	122	1	990881	CKT BRD - PROCESSOR-A400-W SOFTWARE
19	6	9227	NUT - HRLN 3/8-16 ZP	71	1	240905	U R EX ARM	123	1	992058	PLATE - DISPLAY BACK-A400
20	21	9228	NUT - HELN 3/8-16 ZP	72	2	240906	CYL MT	124	5	995000	COLLAR - GRIP
21	2	9231	NUT - HJN 3/4-10 ZP	73	1	240907	ADJ SCREW SUPPORT	125	2	995001	CAP - GRIP W HOLE
22	10	9255	SCREW - CRPHMS 6-32 X 1/4 ZP	74	1	240908	LEVER ARM - RANGE ADJ	126	3	995006	CAP - GRIP-WO HOLE
23	7	9279	SCREW - SBHTS-TF 5/16-18 X 3/4 ZP	75	2	240909	CYL LEVER ARM	127	1	995083	BUSHING - SNAP-1-3/8
24	4	9308	SCREW - CRPHMS 8-32 X 1/2 ZP	76	2	240910	CAM FOLLOWER LEVER ARM	128	5	995160	GRIP - MOLDED
25	14	9353	WASHER - THIN-ACFT 0313 SS	77	2	240911	EX ARM STOP	129	1	995300	DECAL - TB-PLUS
26	40	9355	WASHER - FW-ACFT-3/8 SS	78	1	240912	L L EX ARM	130	1	995301	DECAL - TB-MINUS
27	2	9364	WASHER - ITLW 3/4 ZP	79	1	240913	L R EX ARM	131	1	995324	DECAL - MADE IN THE USA
28	10	9366	WASHER - ITLW #6 ZP	80	2	240915	SHORT DRAG LINK	132	1	995330	FILTER - IN LINE-8MM PTC
29	4	9389	WASHER - ITLW 5/16 ZP	81	2	240916	LONG DRAG LINK	133	1	995418	BAG - 4 X 6 X 4MIL-ZIP LOCK
30	2	9506	SCREW - SBHCS M6X1 X 10 ZP	82	1	240917	HAND WHEEL				
31	2	9988	STREET TEE 1/4	83	2	240920	CAM				
32	2	100903	TANK - 68 IN3	84	1	240925	FRAME - CENTER-A400				
33	1	105058	PLUG - DIA 1-CLEAR	85	1	240926	FRAME - BOTTOM-A400				
34	7	105423	BUMPER - MOLDED GLIDE	86	2	241940	CAM - LINK				
35	1	105443	DECAL - SN-STRENGTH-CE	87	1	241941	BLOCK - HANDLE ADJ				
36	2	110830	ASSY - TB VALVE-DIG	88	2	242050	LEG CUSHION PLATE				
37	10	113040	SHOULDER SLEEVE - 1/2 X 1/2	89	1	242241	SHAFT - BELL CRANK				
38	2	115000	BUSHING - TANK	90	1	242242	SHAFT - PIVOT HANDLE				
39	2	115005	CLEVIS - CYLINDER-2500	91	1	242360	SCREW PIVOT HANDLE - ADJ				
40	32	115051	BEARING - FLANGE-0.500 ID	92	1	245300	DECAL - 1-6 & ARROW				
41	1	115054	PLUG - 2 IN SQ-KEISER	93	1	245400	ACME COLLAR				
42	2	115333	O-RING - .943 X .737 X .103	94	1	252050	PLATE - COVER-PROCESSOR-A400				
43	3	115372	DECAL - KEISER LOGO-1 1/4" RED	95	4	505068	BUSHING - 4 PIECE				
44	4	115404	PLUG - HOLE-1 DIA	96	1	555059	KNOB - T-BLACK				
45	9	115423	TIE - 8 IN-PL BLK	97	1	953098	TUBING - 8MM URETHANE-BLK				
46	1	115429	PLASTIC TIE - 10" RED	98	1	953099	TUBING - 12MM URETHANE-BLK				
47	10	115450	WASHER - FW .88 X .39 X .07 NP	99	1	953108	TUBING - 1/4 URETHANE BLK				
48	10	115451	SCREW - SBHCS 3/8-16 X 1-1/4 NP	100	1	955300	STRIP - PROTECTOR-4 INCH				
49	32	135050	BEARING - FLANGE-1" ID	101	1	955309	SLEEVING - WRAP-AROUND-1/2 ID-BLK				
50	4	135055	STEM BUMPER	102	1	955310	SLEEVING - WRAP-AROUND-3/4 ID-BLK				
51	5	135056	CAP - 1.500 SQ-PL	103	2	962004	CON - 2MM-2-S				
52	2	135422	RUBBER CRUTCH TIP #20 BLK	104	2	962005	CON - MOD - P-4P-4C				



REV: A		REFERENCE WM BOM REV E			ECO BY: LMG	ECO ENGINEER: LC	ECO CHECK BY: LC	ECO DATE: 4/16/26	ECO: 4532
			<small>2470 South Cherry Ave. Phone: (559) 256-8000 Fresno, CA USA 93705-5004 Fax: (559) 256-8100 THE INFORMATION DISCLOSED HEREIN WAS ORIGINATED BY AND IS THE PROPERTY OF KEISER CORP. AND ALL PATENT, PROPRIETARY DESIGN, USE, SALE, MANUFACTURING, AND REPRODUCTION RIGHTS THERE TO ARE RESERVED BY KEISER CORP.</small>		PROJECT ENGINEER: CHIEF ENGINEER		DRAWN BY: LMG		ORIGINATION DATE: 4/16/26
			<small>DIMENSIONS ARE IN INCHES DIMENSIONS IN [] ARE MILLIMETERS BREAK SHARP EDGES .005-.015 [.10-.40] MACHINED SURFACE FINISH IS 63 MICRONS [1.6 MICROMETERS]</small>		MATERIAL:				MATERIAL #:
			TITLE: A400 HIP ADDUCTOR - SA		PART #: 2431X4-SA		REV: A		

SHEET: 3 OF 3 SIZE: B SCALE: 1:10 (DO NOT SCALE DRAWING) LAST SAVED: 4/17/2026