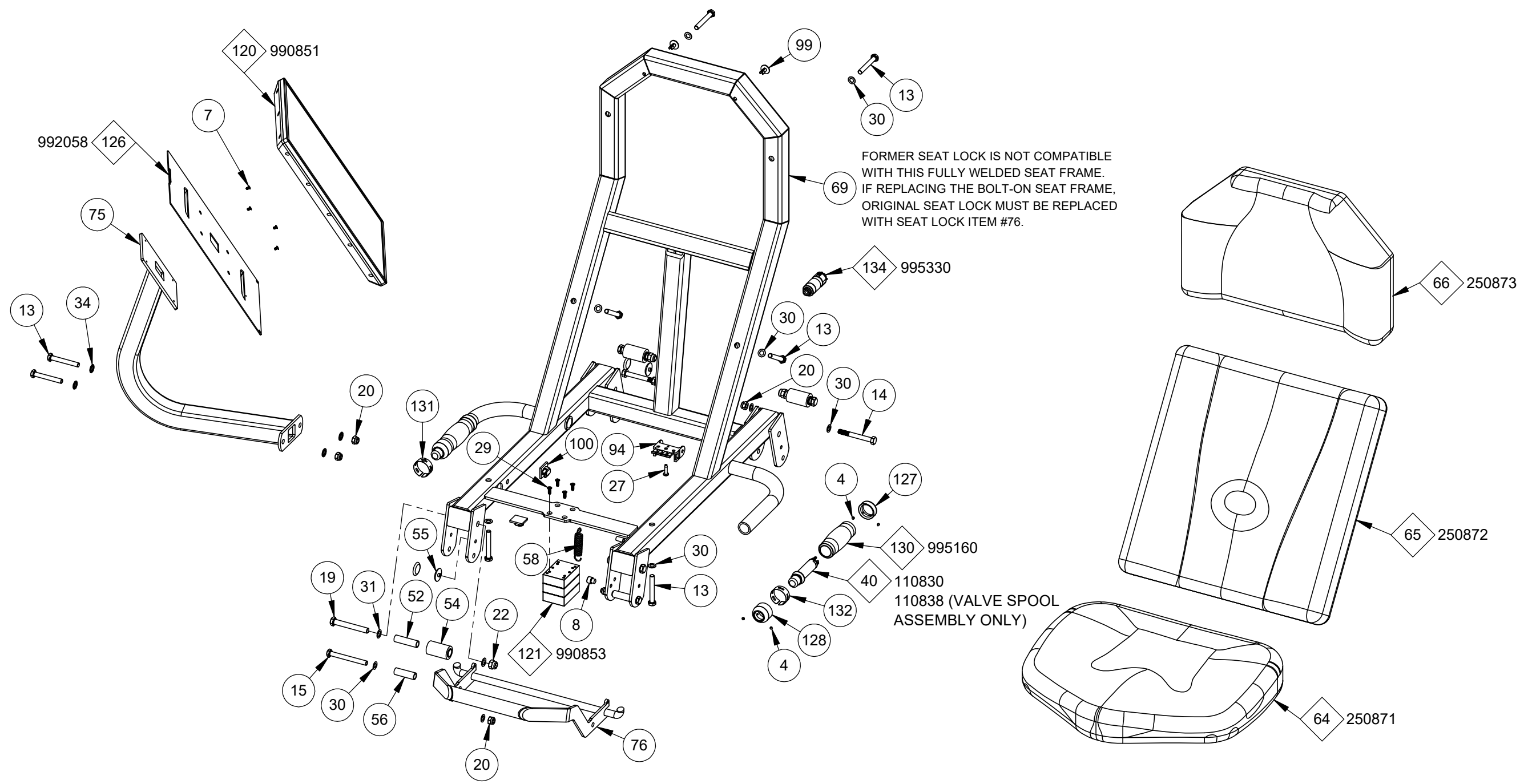


DETAIL A
SCALE 1 : 8

◆ COMMONLY SERVICED COMPONENTS

NOTE:
THIS DRAWING COVERS: 2532B4 & 2532X4

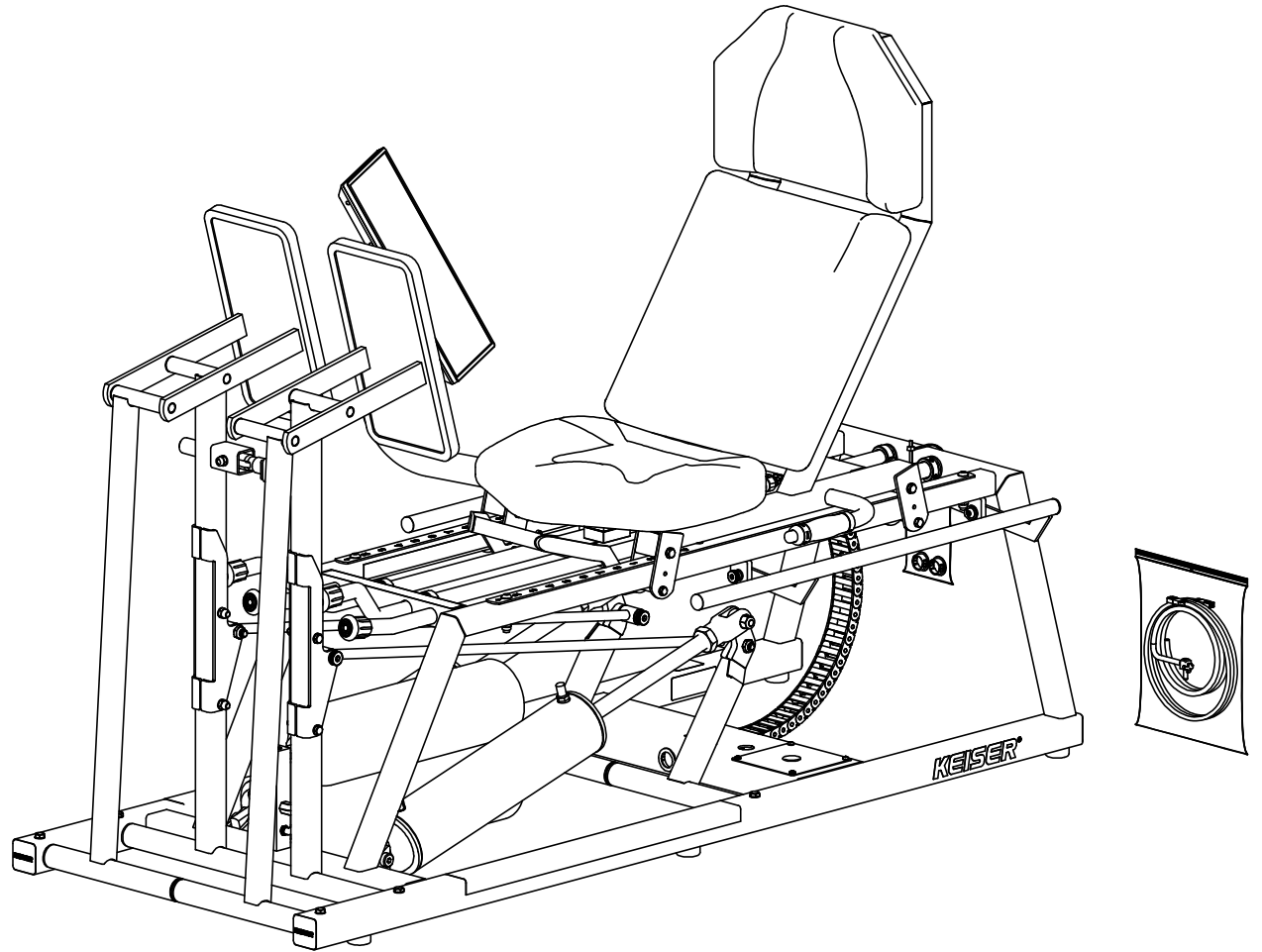
		KEISER <small>2470 South Cherry Ave. Phone: (559) 256-8000 Fresno, CA USA 93705-5004 Fax: (559) 256-8100 THE INFORMATION DISCLOSED HEREIN WAS ORIGINATED BY AND IS THE PROPERTY OF KEISER CORP. AND ALL PATENT, PROPRIETARY DESIGN, USE, SALE, MANUFACTURING, AND REPRODUCTION RIGHTS THERE TO ARE RESERVED BY KEISER CORP.</small>		ECO BY: JC	ECO ENGINEER: MP	ECO CHECK BY: LC	ECO DATE: 4/30/26	ECO: 4538	
				PROJECT ENGINEER: LC	DRAWN BY: JC		ORIGINATION DATE: 9/12/25		
				MATERIAL:				MATERIAL #:	
				TITLE: A400 LEG PRESS - HEAVY-SA				PART #: 2532X4-SA	REV: B
REV: B	REFERENCE WM BOM REV D			DIMENSIONS ARE IN INCHES DIMENSIONS IN [] ARE MILLIMETERS BREAK SHARP EDGES .005-.015 [.10-.40] MACHINED SURFACE FINISH IS 63 MICRONS [1.6 MICROMETERS]					



SHEET: 2 OF 3 SIZE: B SCALE: 1:8 (DO NOT SCALE DRAWING) LAST SAVED: 4/30/2026

		KEISER <small>2470 South Cherry Ave. Phone: (559) 256-8000 Fresno, CA USA 93705-5004 Fax: (559) 256-8100</small>		ECO BY: JC	ECO ENGINEER: MP	ECO CHECK BY: LC	ECO DATE: 4/30/26	ECO: 4538
		<small>THE INFORMATION DISCLOSED HEREIN WAS ORIGINATED BY AND IS THE PROPERTY OF KEISER CORP. AND ALL PATENT, PROPRIETARY DESIGN, USE, SALE, MANUFACTURING, AND REPRODUCTION RIGHTS THERE TO ARE RESERVED BY KEISER CORP.</small>		PROJECT ENGINEER: LC		DRAWN BY: JC		ORIGINATION DATE: 9/12/25
				MATERIAL:			MATERIAL #:	
REV: B	REFERENCE WM BOM REV D	<small>DIMENSIONS ARE IN INCHES DIMENSIONS IN [] ARE MILLIMETERS BREAK SHARP EDGES .005-.015 [.10-.40] MACHINED SURFACE FINISH IS 63 MICRONS [1.6 MICROMETERS]</small>		TITLE: A400 LEG PRESS - HEAVY-SA		PART #: 2532X4-SA	REV: B	

ITEM NO.	QTY.	PART NO.	TITLE	ITEM NO.	QTY.	PART NO.	TITLE	ITEM NO.	QTY.	PART NO.	TITLE
1	3	8043	CON - 3/16 BARB X 1/8 BARB	64	1	250871	CUSHION - SEAT-A400	119	1	966746	WIRE - CABLE-4 CIRCUIT-MICROFIT-0.5M
2	2	8155	ELBOW - 1/2C X 3/8M	65	1	250872	CUSHION - BACK-A400	120	1	990851	DISPLAY MODULE - A400
3	8	9001	PIN SPRING - 3/16 X 1/2	66	1	250873	CUSHION - HEAD-A400	121	1	990853	VALVE BLOCK - A400
4	8	9014	SCREW - HSSS 8-32 X 1/8 SS	67	1	250907	L EX ARM	122	2	990856	CYL - XDCR-4000 X 12000
5	6	9026	SCREW - HSSS 5/16-18 X 1/4 ZP	68	1	250908	R EX ARM	123	1	990862	KIT - INSTALLATION-A400
6	2	9027	SCREW - HSSS 0313-18 X 0375 ZP	69	1	250911	FRAME - SEAT	124	1	990879	MODULE - POWER ENTRY-MDR
7	4	9087	SCREW - CRFCHMS 6-32 X 1/4 SS	70	2	250914	PEDAL - FOOT	125	1	990881	CKT BRD - PROCESSOR-A400-W SOFTWARE
8	1	9104	SCREW - SHCS 5/16-18 X 1/4 ZP	71	1	250919	L STOP HANDLE	126	1	992058	PLATE - DISPLAY BACK-A400
9	4	9112	SCREW - SBHCS-0375 16 X 2250 ZP	72	1	250920	R STOP HANDLE	127	2	995000	COLLAR - GRIP
10	2	9126	SCREW - SHSS 1/2 X 3/4 ZP	73	2	250921	COLLAR - CONNECTOR	128	2	995001	CAP - GRIP W HOLE
11	4	9128	SCREW - SHSS 5/8 X 1-1/4 ZP	74	2	250929	EXERCISE ARM - A420	129	1	995083	BUSHING - SNAP-1-3/8
12	2	9129	SCREW - SHSS 5/8 X 1 3/4 BLK	75	1	250933	DISPLAY MT - A400	130	2	995160	GRIP - MOLDED
13	8	9179	SCREW - HHCS 5/16-18 X 2-1/4 ZP	76	1	250938	SEAT LOCK - EXTENDED	131	1	995300	DECAL - TB-PLUS
14	2	9181	SCREW - HHCS 5/16-18 X 2 3/4 ZP	77	1	250940	FRAME - MAIN-2532	132	1	995301	DECAL - TB-MINUS
15	2	9184	SCREW - HHCS 5/16-18 X 3 ZP	78	1	250944	LEVER ARM - L-HEAVY LP	133	1	995324	DECAL - MADE IN THE USA
16	2	9191	SCREW - SHSS-5/8 X 2 1/4 BLK	79	1	250945	LEVER ARM - R-HEAVY LP	134	1	995330	FILTER - IN LINE-8MM PTC
17	7	9205	SCREW - HHCS 3/8-16 X 2 ZP	80	2	250946	DRAG LINK - HEAVY LP	135	1	995418	BAG - 4 X 6 X 4MIL-ZIP LOCK
18	4	9207	SCREW - HHCS 3/8-16 X 2-1/2 ZP	81	1	251751	BRKT - DRAG LINK-1/2 H-L ARM				
19	4	9208	SCREW - HHCS 3/8-16 X 2-3/4 ZP	82	1	251752	BRKT - DRAG LINK-1/2 H-R ARM				
20	6	9226	NUT - HELN 5/16-18 ZP	83	1	251753	BRKT - DRAG LINK-5/8 H-R ARM				
21	8	9227	NUT - HRLN 3/8-16 ZP	84	1	251754	BRKT - DRAG LINK-5/8 H-L ARM				
22	19	9228	NUT - HELN 3/8-16 ZP	85	1	252050	PLATE - COVER-PROCESSOR-A400				
23	6	9230	NUT - HEJN 1/2-13 ZP	86	4	252180	SHAFT - FOOT PEDAL				
24	2	9241	NUT - HELN 1/2-13 ZP	87	2	252242	SHAFT - LONG-ARM STOP				
25	6	9255	SCREW - CRPHMS 6-32 X 1/4 ZP	88	1	252247	ROD - ARM LOCK				
26	6	9279	SCREW - SBHTS-TF 5/16-18 X 3/4 ZP	89	4	255051	CAP - Ø1-PL				
27	1	9285	SCREW - CRPHTS 10-24 X 3/4 ZP	90	2	255052	PLASTIC CONNECTOR				
28	2	9308	SCREW - CRPHMS 8-32 X 1/2 ZP	91	2	255053	SLEEVE BUSHING				
29	4	9310	SCREW - CRFCHMS 8-32 X 1/2 ZP	92	1	255057	LOCKING SLEEVE				
30	14	9353	WASHER - THIN-ACFT 0313 SS	93	1	255060	CABLE CARRIER - LAY IN-29 LINKS				
31	36	9355	WASHER - FW-ACFT-3/8 SS	94	1	255062	BRKT SET - CABLE CARRIER-DRILLED				
32	6	9366	WASHER - ITLW #6 ZP	95	2	255300	RED DOT				
33	4	9379	WASHER - ITLW 10	96	1	255301	DECAL - ARM STOP				
34	4	9389	WASHER - ITLW 5/16 ZP	97	2	255407	LONG SS SEAT STRIP				
35	2	9506	SCREW - SBHCS M6X1 X 10 ZP	98	2	255420	FOOT PAD				
36	4	9546	SCREW - CRPHMS 10-32 X 5/16 SS	99	2	265404	PLASTIC RIVET				
37	1	105058	PLUG - DIA 1-CLEAR	100	2	545055	ANCHOR - CABLE PL				
38	6	105423	BUMPER - MOLDED GLIDE	101	1	953098	TUBING - 8MM URETHANE-BLK				
39	1	105443	DECAL - SN-STRENGTH-CE	102	1	953102	TUBING - .500 OD X .062 W-PE BLK				
40	2	110830	ASSY - TB VALVE-DIG	103	1	953108	TUBING - 1/4 URETHANE BLK				
41	6	113040	SHOULDER SLEEVE - 1/2 X 1/2	104	1	955300	STRIP - PROTECTOR-4 INCH				
42	4	115051	BEARING - FLANGE-0.500 ID	105	1	955306	TAPE - 6.7 MIL UHMW-1" TRANSPARENT				
43	16	115052	BEARING - FLANGE-0.625 ID	106	2	962004	CON - 2MM-2-S				
44	4	115054	PLUG - 2 IN SQ-KEISER	107	2	962005	CON - MOD - P-4P-4C				
45	4	115056	BEARING - FLANGE-0.625 ID-SHORT	108	4	962006	CON - MOD-P-6P-4C				
46	2	115372	DECAL - KEISER LOGO-1 1/4" RED	109	2	962055	CON - 2MM-8-S				
47	5	115404	PLUG - HOLE-1 DIA	110	1	962070	CON - 2.5MM-6-S				
48	28	115423	TIE - 8 IN-PL BLK	111	2	962071	CON - S-20-24 AWG-CRIMP-TIN				
49	1	115429	PLASTIC TIE - 10" RED	112	1	962072	CON - 3MM-2-S				
50	6	115450	WASHER - FW .88 X .39 X .07 NP	113	2	962073	CON - S-20-24 AWG-CRIMP-MOLEX				
51	6	115451	SCREW - SBHCS 3/8-16 X 1-1/4 NP	114	2	962074	CON - MOD-P-8P-8C				
52	4	133040	TUBE - ROLLER	115	1	964506	FILTER - FERRITE-310 OHM				
53	16	135050	BEARING - FLANGE-1" ID	116	1	966701	WIRE - CABLE-4-26 GA				
54	4	135053	SEAT ROLLER - LONG	117	1	966712	WIRE - CABLE-2-22 GA				
55	6	135055	STEM BUMPER	118	1	966717	WIRE - CABLE-8-24 GA				
56	2	135403	SEAT SLEEVE								
57	4	135422	RUBBER CRUTCH TIP #20 BLK								
58	1	135424	SPRING - PEDAL								
59	3	152244	SHAFT - PIVOT								
60	2	155369	TANK - 300 CU IN-PAINTED								
61	1	170891	ASSY - MUFFLER-LONG								
62	2	222350	GRIP COLLAR - 1000 ID								
63	1	250814X	MANIFOLD ASSY - A400								

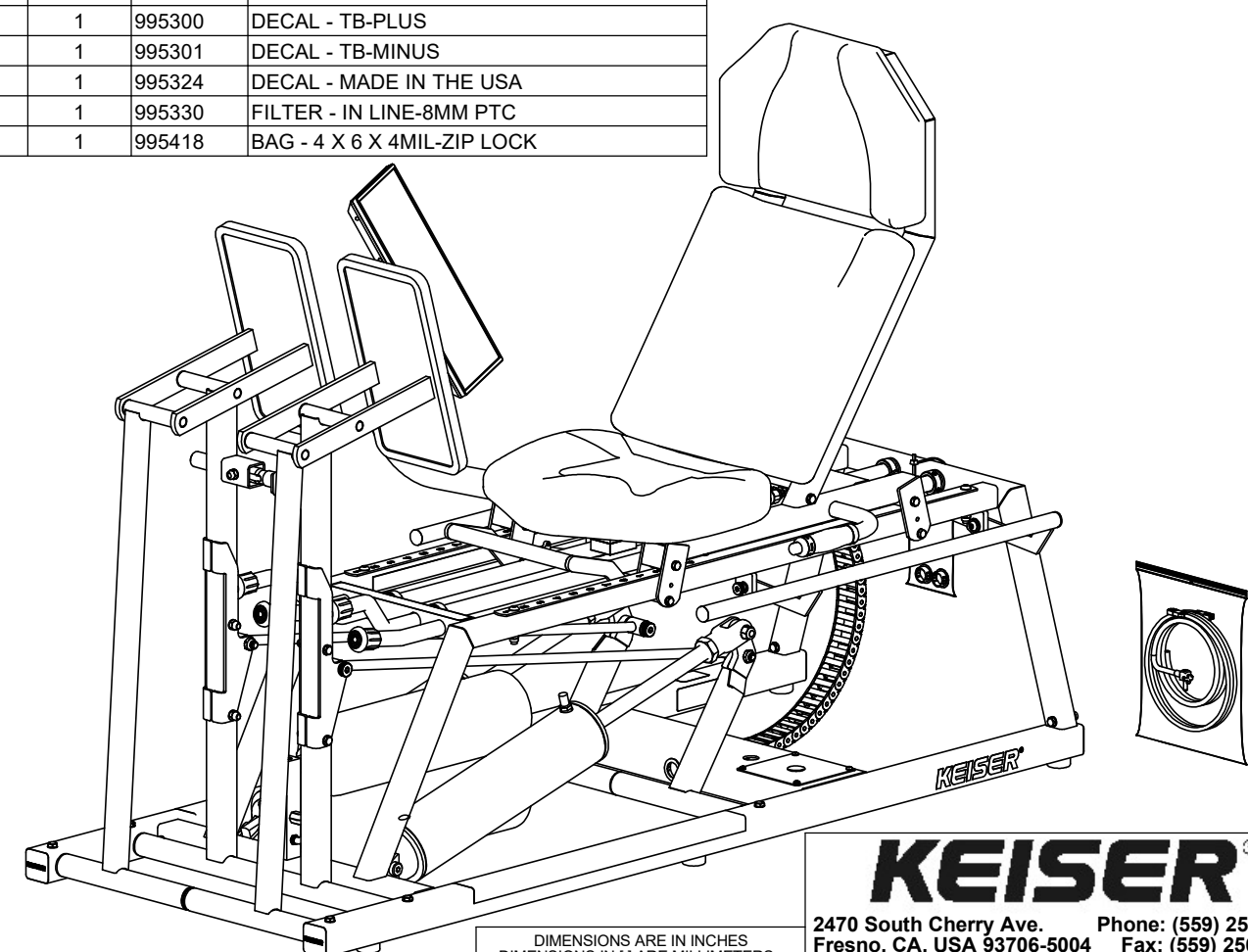


		ECO BY:	ECO ENGINEER:	ECO CHECK BY:	ECO DATE:	ECO:	
		JC	MP	LC	4/30/26	4538	
		PROJECT ENGINEER:		DRAWN BY:		ORIGINATION DATE:	
		LC		JC		9/12/25	
		MATERIAL:				MATERIAL #:	
		TITLE:				PART #:	REV:
		A400 LEG PRESS - HEAVY-SA				2532X4-SA	B
REV:	REFERENCE WM BOM REV D						
B							

SHEET: 3 OF 3 SIZE B SCALE 1:12 (DO NOT SCALE DRAWING) LAST SAVED: 4/30/2026

2532X4-SA

ITEM NO.	QTY.	PART NO.	TITLE	ITEM NO.	QTY.	PART NO.	TITLE	ITEM NO.	QTY.	PART NO.	TITLE
1	3	8043	CON - 3/16 BARB X 1/8 BARB	62	2	222350	GRIP COLLAR - 1000 ID	115	1	962070	CON - 2.5MM-6-S
2	2	8155	ELBOW - 1/2C X 3/8M	63	1	250814X	MANIFOLD ASSY - A400	116	2	962071	CON - S-20-24 AWG-CRIMP-TIN
3	8	9001	PIN SPRING - 3/16 X 1/2	64	1	250871	CUSHION - SEAT-A400	117	1	962072	CON - 3MM-2-S
4	8	9014	SCREW - HSSS 8-32 X 1/8 SS	65	1	250872	CUSHION - BACK-A400	118	2	962073	CON - S-20-24 AWG-CRIMP-MOLEX
5	6	9026	SCREW - HSSS 5/16-18 X 1/4 ZP	66	1	250873	CUSHION - HEAD-A400	119	2	962074	CON - MOD-P-8P-8C
6	2	9027	SCREW - HSSS 0313-18 X 0375 ZP	67	1	250907	L EX ARM	120	1	964506	FILTER - FERRITE-310 OHM
7	4	9087	SCREW - CRFCHMS 6-32 X 1/4 SS	68	1	250908	R EX ARM	121	1	966701	WIRE - CABLE-4-26 GA
8	1	9104	SCREW - SHCS 5/16-18 X 1/4 ZP	69	1	250911	SEAT BOT	122	1	966712	WIRE - CABLE-2-22 GA
9	4	9112	SCREW - SBHCS-0375 16 X 2250 ZP	70	1	250912	SEAT BACK	123	1	966717	WIRE - CABLE-8-24 GA
10	2	9126	SCREW - SHSS 1/2 X 3/4 ZP	71	2	250915	PEDAL - FOOT-A420	124	1	966746	WIRE - CABLE-4 CIRCUIT-MICROFIT-0.5M
11	4	9128	SCREW - SHSS 5/8 X 1-1/4 ZP	72	1	250919	L STOP HANDLE	125	1	990851	DISPLAY MODULE - A400
12	2	9129	SCREW - SHSS 5/8 X 1 3/4 BLK	73	1	250920	R STOP HANDLE	126	1	990853	VALVE BLOCK - A400
13	2	9166	SCREW - HHCS 3/8-16 X 6 1/2 ZP	74	2	250921	COLLAR - CONNECTOR	127	2	990856	CYL - XDCR-4000 X 12000
14	8	9179	SCREW - HHCS 5/16-18 X 2-1/4 ZP	75	2	250929	EXERCISE ARM - A420	128	1	990862	KIT - INSTALLATION-A400
15	6	9181	SCREW - HHCS 5/16-18 X 2 3/4 ZP	76	1	250933	DISPLAY MT - A400	129	1	990879	MODULE - POWER ENTRY-MDR
16	2	9184	SCREW - HHCS 0313-18 X 3000 ZP	77	1	250935	L BOT FRM - A400	130	1	990881	CKT BRD - PROCESSOR-A400-W SOFTWARE
17	2	9191	SCREW - SHSS-5/8 X 2 1/4 BLK	78	1	250936	R BOT FRM - A400	131	1	992058	PLATE - DISPLAY BACK-A400
18	13	9205	SCREW - HHCS 3/8-16 X 2 ZP	79	1	250938	SEAT LOCK - EXTENDED	132	2	995000	COLLAR - GRIP
19	6	9207	SCREW - HHCS 3/8-16 X 2-1/2 ZP	80	1	250940	FRAME - MAIN-TOP-HEAVY LP	133	2	995001	CAP - GRIP W HOLE
20	10	9226	NUT - HELN 5/16-18 ZP	81	1	250941	WELDT - CROSS TUBE-A400	134	1	995083	BUSHING - SNAP-1-3/8
21	8	9227	NUT - HRLN 3/8-16 ZP	82	1	250944	LEVER ARM - L-HEAVY LP	135	2	995160	GRIP - MOLDED
22	25	9228	NUT - HELN 3/8-16 ZP	83	1	250945	LEVER ARM - R-HEAVY LP	136	1	995300	DECAL - TB-PLUS
23	6	9230	NUT - HEJN 1/2-13 ZP	84	2	250946	DRAG LINK - HEAVY LP	137	1	995301	DECAL - TB-MINUS
24	2	9241	NUT - HELN 1/2-13 ZP	85	1	251751	BRKT - DRAG LINK-1/2 H-L ARM	138	1	995324	DECAL - MADE IN THE USA
25	6	9255	SCREW - CRPHMS 6-32 X 1/4 ZP	86	1	251752	BRKT - DRAG LINK-1/2 H-R ARM	139	1	995330	FILTER - IN LINE-8MM PTC
26	6	9279	SCREW - SBHTS-TF 5/16-18 X 3/4 ZP	87	1	251753	BRKT - DRAG LINK-5/8 H-R ARM	140	1	995418	BAG - 4 X 6 X 4MIL-ZIP LOCK
27	1	9285	SCREW - CRPHTS 10-24 X 3/4 ZP	88	1	251754	BRKT - DRAG LINK-5/8 H-L ARM				
28	2	9308	SCREW - CRPHMS 8-32 X 1/2 ZP	89	1	252050	PLATE - COVER-PROCESSOR-A400				
29	4	9310	SCREW - CRFCHMS 8-32 X 1/2 ZP	90	4	252180	SHAFT - FOOT PEDAL				
30	22	9353	WASHER - THIN-ACFT 0313 SS	91	2	252242	SHAFT - LONG-ARM STOP				
31	48	9355	WASHER - FW-ACFT-3/8 SS	92	1	252247	ROD - ARM LOCK				
32	6	9366	WASHER - ITLW #6 ZP	93	1	254171	BOT CTR TUBE - SEAT BACK				
33	4	9379	WASHER - ITLW 10	94	4	255051	CAP - Ø1-PL				
34	4	9389	WASHER - ITLW 5/16 ZP	95	2	255052	PLASTIC CONNECTOR				
35	2	9506	SCREW - SBHCS M6X1 X 10 ZP	96	2	255053	SLEEVE BUSHING				
36	4	9546	SCREW - CRPHMS 10-32 X 5/16 SS	97	1	255057	LOCKING SLEEVE				
37	1	105058	PLUG - DIA 1-CLEAR	98	1	255060	CABLE CARRIER - LAY IN-29 LINKS				
38	6	105423	BUMPER - MOLDED GLIDE	99	1	255062	BRKT SET - CABLE CARRIER-DRILLED				
39	1	105443	DECAL - SN-STRENGTH-CE	100	2	255300	RED DOT				
40	2	110830	ASSY - TB VALVE-DIG	101	1	255301	DECAL - ARM STOP				
41	6	113040	SHOULDER SLEEVE - 1/2 X 1/2	102	2	255407	LONG SS SEAT STRIP				
42	4	115051	BEARING - FLANGE-0.500 ID	103	2	255420	FOOT PAD				
43	16	115052	BEARING - FLANGE-0.625 ID	104	2	265404	PLASTIC RIVET				
44	4	115054	PLUG - 2 IN SQ-KEISER	105	1	545055	ANCHOR - CABLE PL				
45	4	115056	BEARING - FLANGE-0.625 ID-SHORT	106	1	953098	TUBING - 8MM URETHANE-BLK				
46	2	115372	DECAL - KEISER LOGO-1 1/4" RED	107	1	953102	TUBING - .500 OD X .062 W-PE BLK				
47	2	115404	PLUG - HOLE-1 DIA	108	1	953108	TUBING - 1/4 URETHANE BLK				
48	34	115423	TIE - 8 IN-PL BLK	109	1	955300	STRIP - PROTECTOR-4 INCH				
49	1	115429	PLASTIC TIE - 10" RED	110	1	955306	TAPE - 6.7 MIL UHMW-1" TRANSPARENT				
50	6	115450	WASHER - FW .88 X .39 X .07 NP	111	2	962004	CON - 2MM-2-S				
51	6	115451	SCREW - SBHCS 3/8-16 X 1-1/4 NP	112	2	962005	CON - MOD - P-4P-4C				
52	4	133040	TUBE - ROLLER	113	4	962006	CON - MOD-P-6P-4C				
53	16	135050	BEARING - FLANGE-1" ID	114	2	962055	CON - 2MM-8-S				
54	4	135053	SEAT ROLLER - LONG								
55	6	135055	STEM BUMPER								
56	2	135403	SEAT SLEEVE								
57	4	135422	RUBBER CRUTCH TIP #20 BLK								
58	1	135424	SPRING - PEDAL								
59	3	152244	SHAFT - PIVOT								
60	2	155369	TANK - 300 CU IN-PAINTED								
61	1	170891	ASSY - MUFFLER-LONG								



KEISER®
 2470 South Cherry Ave. Phone: (559) 256-8000
 Fresno, CA, USA 93706-5004 Fax: (559) 256-8100

THE INFORMATION DISCLOSED HEREIN WAS ORIGINATED BY AND IS THE PROPERTY OF KEISER CORP. AND ALL PATENT, PROPRIETARY, DESIGN, USE, SALE, MANUFACTURING, AND REPRODUCTION RIGHTS THERETO ARE RESERVED BY KEISER CORP.

DIMENSIONS ARE IN INCHES DIMENSIONS IN [] ARE MILLIMETERS BREAK SHARP EDGES .005-.015 [.10-.40] MACHINED SURFACE FINISH IS 63 MICROINCHES [1.6 MICROMETERS] DO NOT SCALE DRAWING		DRAWN BY: JC	DATE DRAWN: 8/11/25	CHECKED BY: LC	DATE CHECKED: 9/12/25
MATERIAL:		RAW MAT:			
A 4445		REFERENCE WM BOM REV C	JC	LC	9/12/25
REV	ECO	REVISION DESCRIPTION	BY	CKD	DATE
SHEET 3 OF 3		SCALE: 1:12	DRAWING SIZE: B		PART#: 2532X4-SA

PRINTED ON: 9/12/2025