

COMMONLY SERVICED COMPONENTS

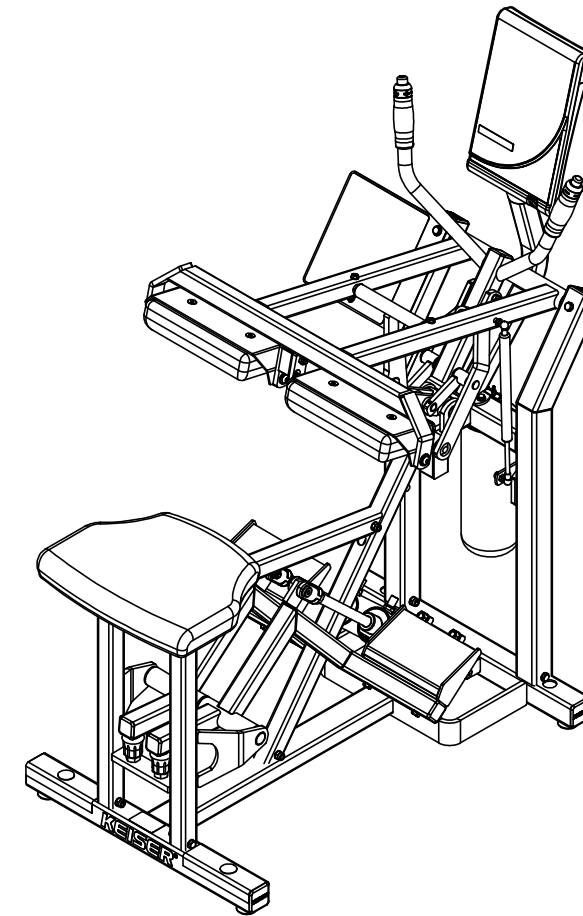
110830
110838
(VALVE SPOOL ASSEMBLY ONLY)

NOTE:
THIS DRAWING COVERS: 2936BP, 2936PP AND 293SP

<p>KEISER 2470 South Cherry Ave. Fresno, CA USA 93705-5004 Phone: (559) 256-8000 Fax: (559) 256-8100 THE INFORMATION DISCLOSED HEREIN WAS ORIGINATED BY AND IS THE PROPERTY OF KEISER CORP. AND ALL PATENT, PROPRIETARY DESIGN, USE, SALE, MANUFACTURING, AND REPRODUCTION RIGHTS THERE TO ARE RESERVED BY KEISER CORP.</p>		ECO BY: BJU	ECO ENGINEER: LC	ECO CHECK BY: LC	ECO DATE: 4/1/26	ECO: 4569
<p>DIMENSIONS ARE IN INCHES DIMENSIONS IN [] ARE MILLIMETERS BREAK SHARP EDGES .005-.015 [.10-.40] MACHINED SURFACE FINISH IS 63 MICRONS [1.6 MICROMETERS]</p>		PROJECT ENGINEER: LC		DRAWN BY: BJU		ORIGINATION DATE: 7/23/21
<p>REV: C REFERENCE WM BOM REV M</p>		MATERIAL:				MATERIAL #:
		TITLE: A300 SEATED CALF - PWR-SA			PART #: 2936XP-SA	REV: C

SHEET: 1 OF 2 SIZE B SCALE 1:10 (DO NOT SCALE DRAWING) LAST SAVED: 4/1/2026

ITEM NO.	QTY.	PART NO.	TITLE	ITEM NO.	QTY.	PART NO.	TITLE	ITEM NO.	QTY.	PART NO.	TITLE
1	2	9001	PIN SPRING - 3/16 X 1/2	64	3	265310	Y CONNECTOR - 1/8 DIA-PL	119	4	962017	CON-MOD-P-6P-6C
2	3	9002	PIN SPRING - 3/16 X 7/8	65	2	265404	PLASTIC RIVET	120	1	966701	WIRE - CABLE-4-26 GA
3	8	9014	SCREW - HSSS 8-32 X 1/8 SS	66	1	275422	CLAMP - CABLE-0500	121	1	966702	WIRE - CABLE-6-26GA
4	6	9075	SCREW - SFCHCS 5/16-18 X 1 ZP	67	1	290806	ADJ STUD ASSY - SHORT	122	1	990806	ASSY - PROCESSOR BOX
5	1	9077	SCREW - SFCHCS SL 04375-14 X 1 BLK	68	1	290807	ADJ STUD ASSY - LONG	123	2	995000	COLLAR - GRIP
6	1	9104	SCREW - SHCS 5/16-18 X 1/4 ZP	69	2	290851	KNEE CUSHION	124	2	995001	CAP - GRIP W HOLE
7	4	9127	SCREW - SHSS 1/2 X 1 ZP	70	1	290900	SEAT FRAME	125	2	995160	GRIP - MOLDED
8	1	9150	SCREW - HHCS 1/4-20 X 1/2 ZP	71	1	290902	BOT FRM	126	1	995300	DECAL - TB-PLUS
9	2	9152	SCREW - HHCS 1/4-20 X 2 ZP	72	1	290903	R EX ARM	127	1	995301	DECAL - TB-MINUS
10	1	9175	SCREW - HHCS 5/16-18 X 3/4 ZP	73	1	290904	L EX ARM	128	1	995318	DECAL - NO ADJ-POWER
11	3	9176	SCREW - HHCS 5/16-18 X 1 ZP	74	1	290906	L SIDE FRM	129	1	995324	DECAL - MADE IN THE USA
12	1	9179	SCREW - HHCS 5/16-18 X 2-1/4 ZP	75	1	290907	R SIDE FRM	130	1	995418	BAG - 4 X 6 X 4MIL-ZIP LOCK
13	2	9181	SCREW - HHCS 5/16-18 X 2-3/4 ZP	76	1	290908	HANDLE BAR	131	1	995615	PLACARD - ENG-POWER-BLK
14	5	9205	SCREW - HHCS 3/8-16 X 2 ZP	77	1	290909	KNEE PAD ARM	132	1	995616	PLACARD - ENG-KEY-RED
15	10	9207	SCREW - HHCS 3/8-16 X 2-1/2 ZP	78	2	290911	FOOT PEDAL				
16	2	9208	SCREW - HHCS 3/8-16 X 2-3/4 ZP	79	1	290913	RACK				
17	2	9220	NUT - HELN 1/4-28 ZP	80	1	290914	LEVER ARM				
18	2	9225	NUT - HELN 1/4-20 ZP	81	2	290915	COMP LINK				
19	6	9226	NUT - HELN 5/16-18 ZP	82	1	290916	L HANDLE BAR LEVER				
20	4	9227	NUT - HRLN 3/8-16 ZP	83	1	290917	WELDT - DISPLAY MT				
21	21	9228	NUT - HELN 3/8-16 ZP	84	1	290918	MID GUSSET				
22	1	9231	NUT - HJN 3/4-10 ZP	85	1	290920	ROTATE LINK				
23	2	9232	NUT - HN 5/8-18 NF ZP	86	1	290921	ENGAGEMENT LEVER				
24	2	9251	SCREW - HHCS 5/8-18 X 2 ZP	87	2	291801	KNEE PAD BRKT				
25	3	9272	SCREW - CRPHTS-TF #6-32 X 1/2 SS	88	1	291822	GAS SPRING BRKT BAR				
26	6	9279	SCREW - SBHTS-TF 5/16-18 X 3/4 ZP	89	1	291843	ENGAGEMENT BRACKET				
27	5	9285	SCREW - CRPHTS 10-24 X 3/4 ZP	90	1	291882	GAS SPRING BRKT MOUNT				
28	6	9291	SCREW - CRPHTS 8 X 1/2 ZP	91	1	291887	RT HANDLE BAR LEVER				
29	1	9349	WASHER - FW-SAE-1/4 ZP	92	2	291889	UPHOL MOUNTING BRKT				
30	7	9353	WASHER - THIN-ACFT 0313 SS	93	1	292141	PIN - RACK GUIDE				
31	34	9355	WASHER - FW-ACFT-3/8 SS	94	1	292180	RACK SHAFT				
32	1	9364	WASHER - ITLW 3/4 ZP	95	1	292181	HANDLE BAR SHAFT - 5/8 DIA				
33	2	9366	WASHER - ITLW #6 ZP	96	1	292182	LEVER ARM SHAFT - 5/8 DIA SS				
34	4	9389	WASHER - ITLW 5/16 ZP	97	1	292240	EX ARM SHAFT				
35	4	105423	BUMPER - MOLDED GLIDE	98	1	292241	LEVER ARM SHAFT				
36	1	105443	DECAL - SN-STRENGTH-CE	99	1	292243	KNEE PAD ARM SHAFT				
37	2	110830	ASSY - TB VALVE-DIG	100	1	294174	SHORT GUSSET				
38	2	110847	ASSY - EC-2.5 X 7	101	2	295001	BRONZE BEARING				
39	1	110897	ASSY - QD-MALE	102	2	295052	PLASTIC STOP				
40	1	115000	BUSHING - TANK	103	1	295400	GAS SPRING				
41	2	115005	CLEVIS - CYLINDER-2500	104	2	295401	BALL STUD - ZP				
42	2	115019	BARBED CONN - 1/4 X 10-32	105	2	295403	RETAINING CLIP				
43	14	115051	BEARING - FLANGE-0.500 ID	106	1	295406	SHAFT COLLAR - 3/8				
44	8	115052	BEARING - FLANGE-0.625 ID	107	1	295447	PLACARD - A300 SEATED CALF				
45	6	115054	PLUG - 2 IN SQ-KEISER	108	1	545055	ANCHOR - CABLE PL				
46	1	115323	FILTER - IN LINE	109	1	600881B	DISPLAY BOX - 5 WIN				
47	1	115333	O-RING - .943 X .737 X .103	110	1	605056B	DISPLAY BOX - BACK				
48	1	115372	DECAL - KEISER LOGO-1 1/4" RED	111	1	605428	GROUND CLAMP - DISPLAY				
49	1	115403	PLUG - HOLE-3/4 DIA	112	1	953101	TUBING - .375 OD X .062 W-PE BLK				
50	4	115404	PLUG - HOLE-1 DIA	113	1	953108	TUBING - 1/4 URETHANE BLK				
51	7	115423	TIE - 8 IN-PL BLK	114	1	995094	COVER - 144 CU IN TANK				
52	1	115429	PLASTIC TIE - 10" RED	115	1	955300	STRIP - PROTECTOR-4 INCH				
53	4	115450	WASHER - FW .88 X .39 X .07 NP	116	2	962004	CON - 2MM-2-S				
54	4	115451	SCREW - SBHCS 3/8-16 X 1-1/4 NP	117	6	962005	CON - MOD - P-4P-4C				
55	1	130870	CUSHION - SEAT-CURVED	118	1	962016	CON - MOD-COUPLER-6-6				
56	1	135040	3/8 TAPPED TEE								
57	10	135050	BEARING - FLANGE-1" ID								
58	2	135055	STEM BUMPER								
59	5	135056	CAP - 1.500 SQ-PL								
60	2	135422	RUBBER CRUTCH TIP #20 BLK								
61	1	135424	SPRING - PEDAL								
62	1	170891	ASSY - MUFFLER-LONG								
63	1	255318	TANK - 144 CU IN								



KEISER 2470 South Cherry Ave. Phone: (559) 256-8000 Fresno, CA USA 93705-5004 Fax: (559) 256-8100 THE INFORMATION DISCLOSED HEREIN WAS ORIGINATED BY AND IS THE PROPERTY OF KEISER CORP. AND ALL PATENT, PROPRIETARY DESIGN, USE, SALE, MANUFACTURING, AND REPRODUCTION RIGHTS THERE TO ARE RESERVED BY KEISER CORP.		ECO BY: BJU	ECO ENGINEER: LC	ECO CHECK BY: LC	ECO DATE: 4/1/26	ECO: 4569
DIMENSIONS ARE IN INCHES DIMENSIONS IN [] ARE MILLIMETERS BREAK SHARP EDGES .005-.015 [.10-.40] MACHINED SURFACE FINISH IS 63 MICRONS [1.6 MICROMETERS]		PROJECT ENGINEER: LC	DRAWN BY: BJU		ORIGINATION DATE: 7/23/21	
REV: C REFERENCE WM BOM REV M		MATERIAL:				MATERIAL #:
		TITLE: A300 SEATED CALF - PWR-SA			PART #: 2936XP-SA	REV: C

SHEET: 2 OF 2 SIZE: B SCALE: 1:14 (DO NOT SCALE DRAWING) LAST SAVED: 4/1/2026